



### 4 Burner Gas Radiant Grill

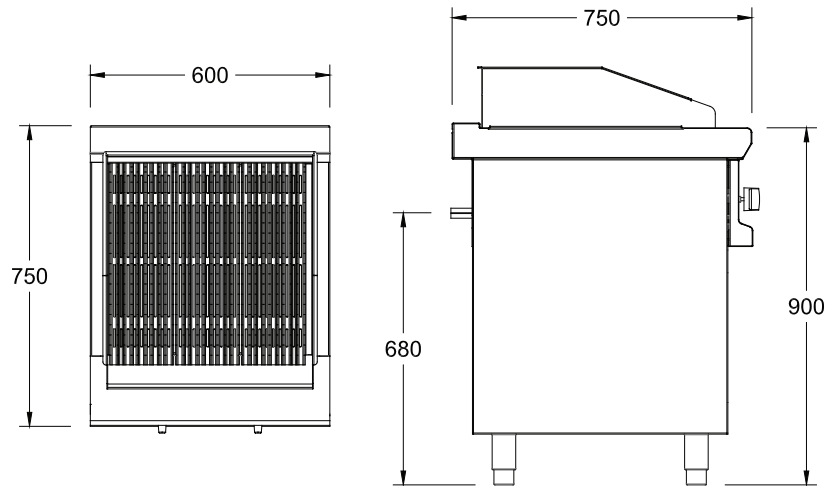
**Model:** G-RG/4  
**Dimensions:** 600 x 800 x 900



#### Features

- Top made from 1.6mm Grade 430 st/steel
- Body manufactured from 0.9mm Grade 430 st/steel
- Splash guards manufactured from 2.0mm Grade 430 st/steel
- Easily removable burners for cleaning purposes
- Cast iron grids

#### Technical Drawing

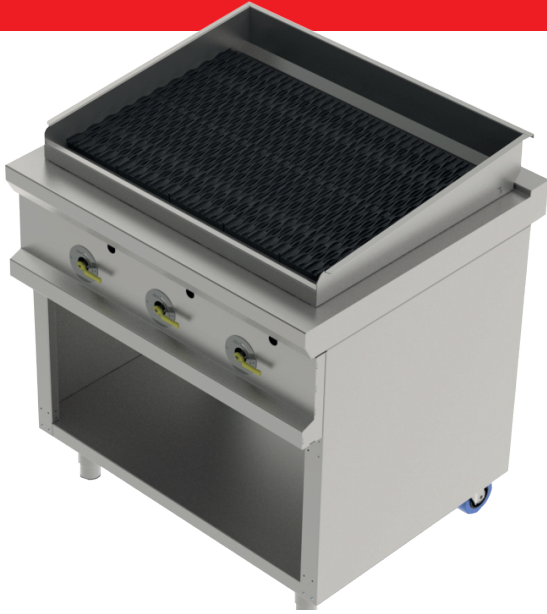


#### Optional Extras

- Body can be manufactured from 304 st/steel
- Front door to suit body
- Marinade holder
- Lava rock conversion

#### Specifications

**Dimensions:** 600 x 800 x 900  
**No of burners:** 4 burners  
**Gas pressure:** LPG: 2.7Kpa  
**Gas consumption:** 1.12 kg/Hr



### 6 Burner Gas Radiant Grill

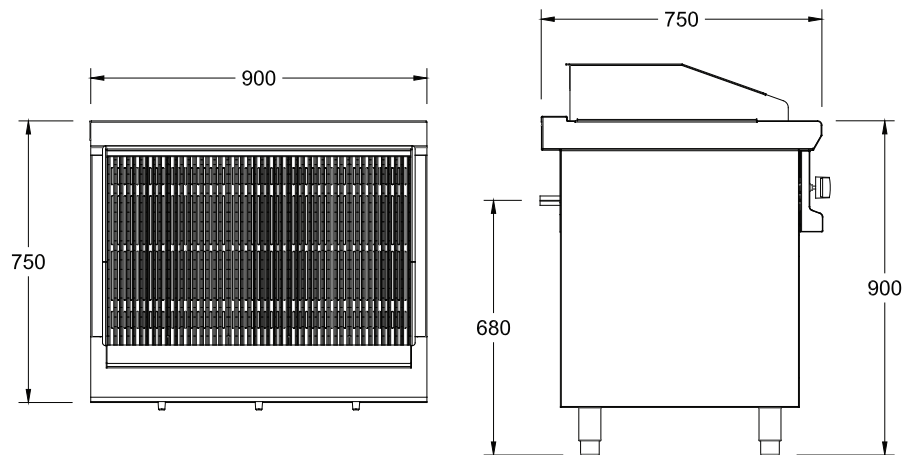
**Model:** G-RG/6  
**Dimensions:** 900 x 800 x 900



#### Features

- Top made from 1.6mm Grade 430 st/steel
- Body manufactured from 0.9mm Grade 430 st/steel
- Splash guards manufactured from 2.0mm Grade 430 st/steel
- Easily removable burners for cleaning purposes
- Cast iron grids

#### Technical Drawing



#### Optional Extras

- Body can be manufactured from 304 st/steel
- Front door to suit body
- Marinade holder
- Lava rock conversion

#### Specifications

**Dimensions:** 900 x 800 x 900  
**No of burners:** 6 burners  
**Gas pressure:** LPG: 2.7Kpa  
**Gas consumption:** 1.68 kg/Hr



### 8 Burner Gas Radiant Grill

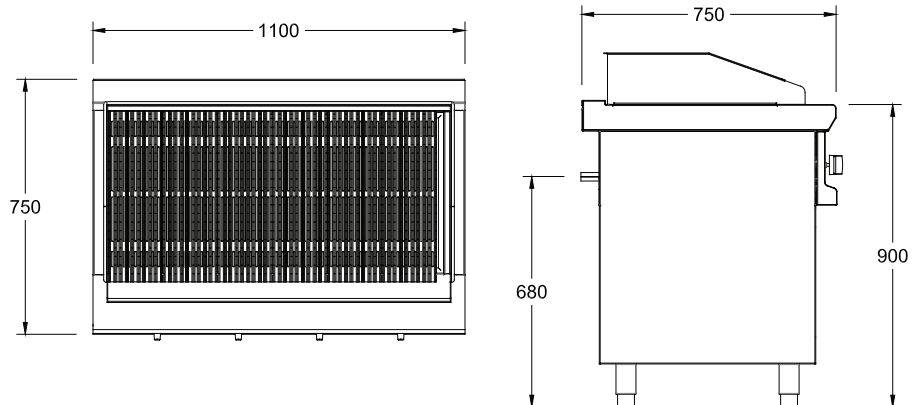
**Model:** G-RG/8  
**Dimensions:** 1100 x 800 x 900



#### Features

- Top made from 1.6mm Grade 430 st/steel
- Body manufactured from 0.9mm Grade 430 st/steel
- Splash guards manufactured from 2.0mm Grade 430 st/steel
- Easily removable burners for cleaning purposes
- Cast iron grids

#### Technical Drawing

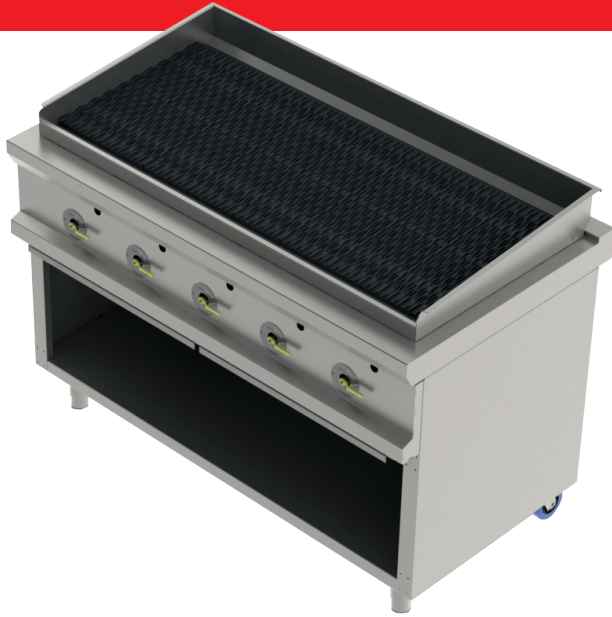


#### Optional Extras

- Body can be manufactured from 304 st/steel
- Front door to suit body
- Marinade holder
- Lava rock conversion

#### Specifications

**Dimensions:** 1100 x 800 x 900  
**No of burners:** 8 burners  
**Gas pressure:** LPG: 2.7Kpa  
**Gas consumption:** 2.24 kg/Hr



### 10 Burner Gas Radiant Grill

**Model:** G-RG/10

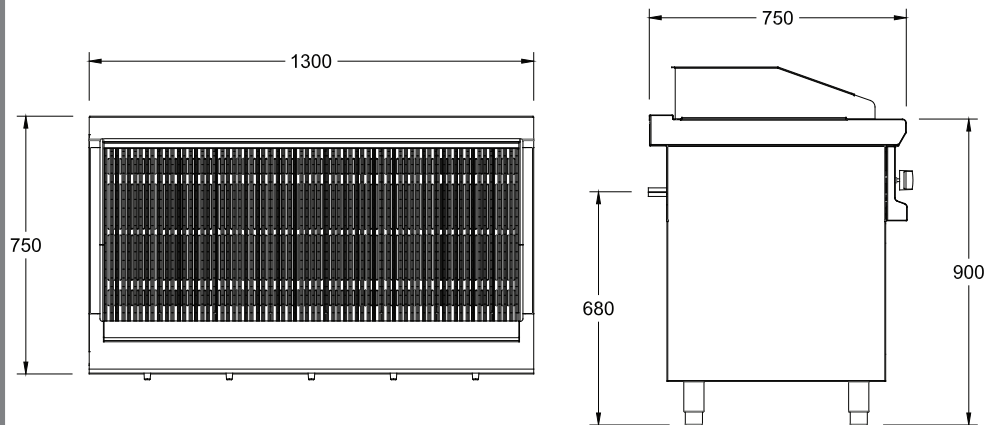
**Dimensions:** 1400 x 800 x 900



#### Features

- Top made from 1.6mm Grade 430 st/steel
- Body manufactured from 0.9mm Grade 430 st/steel
- Splash guards manufactured from 2.0mm Grade 430 st/steel
- Easily removable burners for cleaning purposes
- Cast iron grids

#### Technical Drawing



#### Optional Extras

- Body can be manufactured from 304 st/steel
- Front door to suit body
- Marinade holder
- Lava rock conversion

#### Specifications

- Dimensions: 1400 x 800 x 900  
No of burners: 10 burners  
Gas pressure: LPG: 2.7Kpa  
Gas consumption: 2.8 kg/Hr





### 12 Burner Gas Radiant Grill

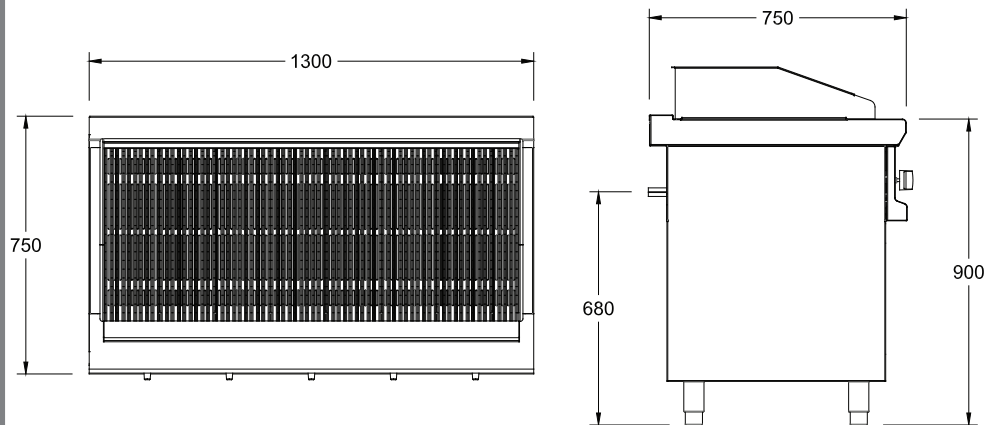
**Model:** G-RG/12  
**Dimensions:** 1650 x 800 x 900



#### Features

- Top made from 1.6mm Grade 430 st/steel
- Body manufactured from 0.9mm Grade 430 st/steel
- Splash guards manufactured from 2.0mm Grade 430 st/steel
- Easily removable burners for cleaning purposes
- Cast iron grids

#### Technical Drawing



#### Optional Extras

- Body can be manufactured from 304 st/steel
- Front door to suit body
- Marinade holder
- Lava rock conversion

#### Specifications

**Dimensions:** 1650 x 800 x 900  
**No of burners:** 12 burners  
**Gas pressure:** LPG: 2.7Kpa  
**Gas consumption:** 3.36 kg/Hr



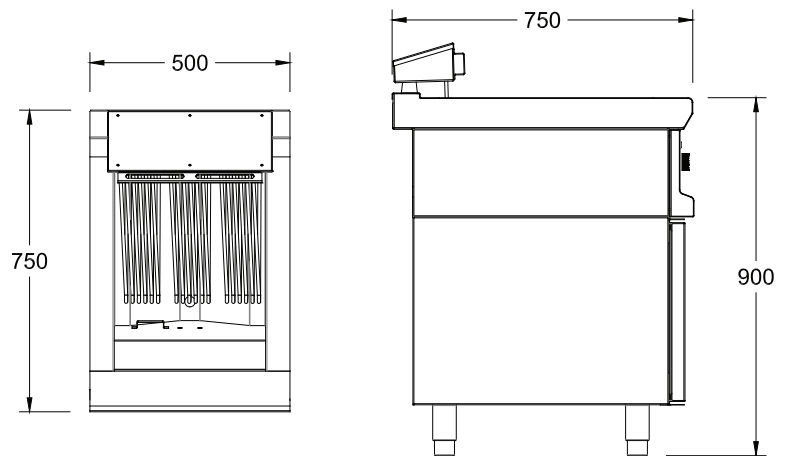
### 1 x 20 Ltr Deep Fat Fryer

**Model:** DFF-20L  
**Dimensions:** 500 x 800 x 900

#### Features

- Top made from 1.6mm Grade 430 st/steel
- Body manufactured from 0.9mm Grade 430 st/steel
- 3 x 5kw incoloy elements with low watts density
- Elements thermostatically controlled between 0-190 C
- Safety cut off fitted and preset to 215 C
- Oil reciever included
- Chip baskets included
- Tiltout elements

#### Technical Drawing



#### Optional Extras

- Body can be manufactured from 304 st/steel
- Filter holder + filter paper
- Programmable computer

#### Specifications

**Dimensions:** 500 x 800 x 900  
**No of elements:** 3 off  
**Electrical load:** 15 kw, 400v, 3 phase neutral and earth  
**Electrical connection:** 2 meter (5 core) cable with fly lead



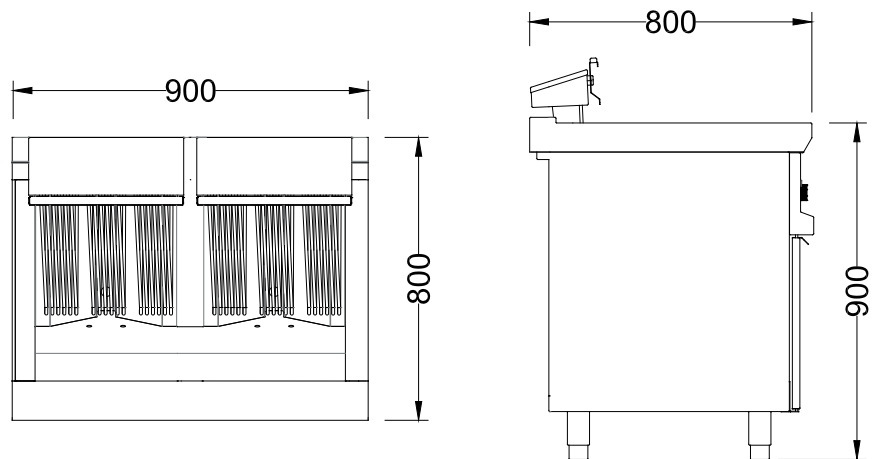
### 1 x 40 Ltr Deep Fat Fryer

**Model:** DFF-40L  
**Dimensions:** 900 x 800 x 900

#### Features

- Top made from 1.6mm Grade 430 st/steel
- Body manufactured from 0.9mm Grade 430 st/steel
- 3 x 5kw incoloy elements with low watts density
- Elements thermostatically controlled between 0-190 C
- Safety cut off fitted and preset to 215 C
- Oil reciever included
- Chip baskets included
- Tiltout elements

#### Technical Drawing



#### Optional Extras

- Body can be manufactured from 304 st/steel
- Filter holder + filter paper
- Programmable computer

#### Specifications

**Dimensions:** 900 x 800 x 900  
**No of elements:** 6 off  
**Electrical load:** 30 kw, 400v, 3 phase neutral and earth  
**Electrical connection:** 2 meter (5 core) cable with fly lead



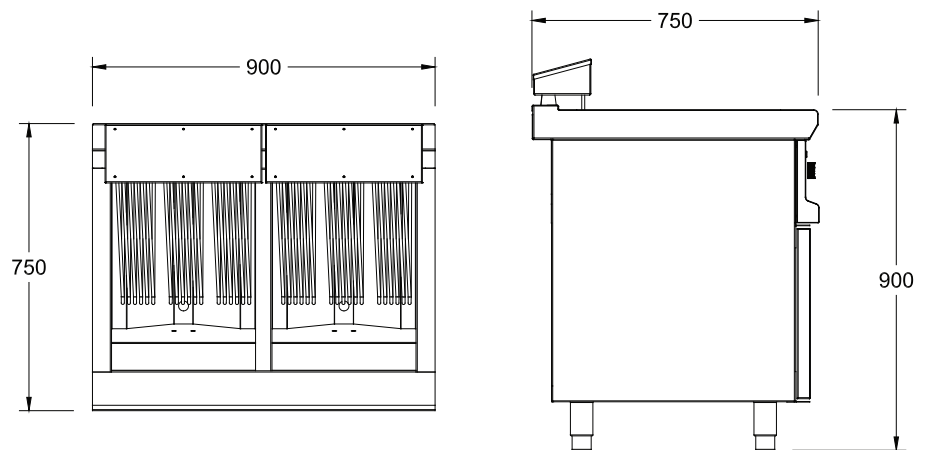
### 2 x 20 Ltr Deep Fat Fryer

**Model:** DFF-T-20L  
**Dimensions:** 900 x 800 x 900

#### Features

- Top made from 1.6mm Grade 430 st/steel
- Body manufactured from 0.9mm Grade 430 st/steel
- 6 x 5kw incoloy elements with low watts density
- Elements thermostatically controlled between 0-190 C
- Safety cut off fitted and preset to 215 C
- Oil reciever included
- Chip baskets included
- Tiltout elements

#### Technical Drawing



#### Optional Extras

- Body can be manufactured from 304 st/steel
- Filter holder + filter paper
- Programmable computer

#### Specifications

**Dimensions:** 900 x 800 x 900  
**No of elements:** 6 off  
**Electrical load:** 30 kw, 400v, 3 phase neutral and earth  
**Electrical connection:** 2 meter (5 core) cable with fly lead



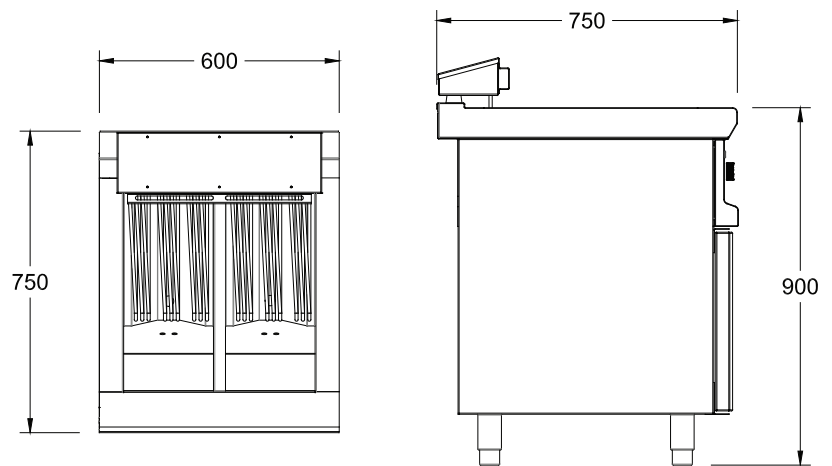
### 2 x 15 Ltr Deep Fat Fryer

**Model:** DFF-T-15L  
**Dimensions:** 600 x 800 x 900

#### Features

- Top made from 1.6mm Grade 430 st/steel
- Body manufactured from 0.9mm Grade 430 st/steel
- 6 x 3kw incoloy elements with low watts density
- Elements thermostatically controlled between 0-190 C
- Safety cut off fitted and preset to 215 C
- Oil reciever included
- Chip baskets included
- Tiltout elements

#### Technical Drawing



#### Optional Extras

- Body can be manufactured from 304 st/steel
- Filter holder + filter paper
- Programmable computer

#### Specifications

**Dimensions:** 600 x 800 x 900  
**No of elements:** 6 off  
**Electrical load:** 18 kw, 400v, 3 phase neutral and earth  
**Electrical connection:** 2 meter (5 core) cable with fly lead



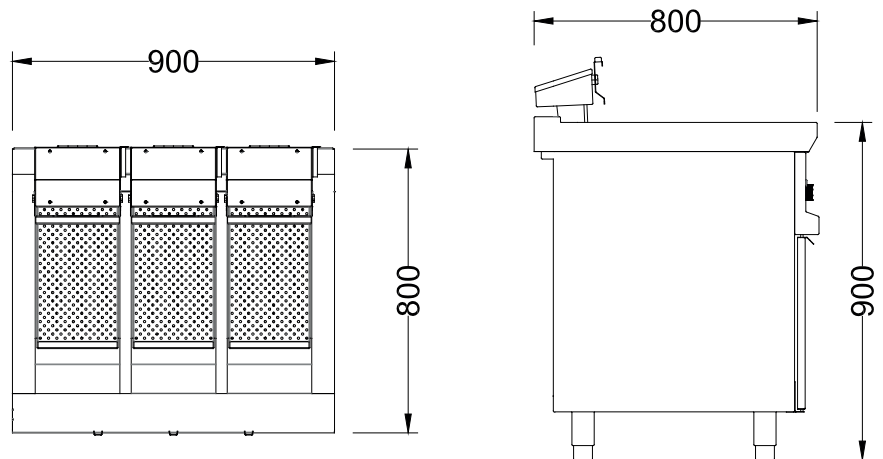
### 3 x 15 Ltr Deep Fat Fryer

**Model:** DFF-T-15L  
**Dimensions:** 900 x 800 x 900

#### Features

Top made from 1.6mm Grade 430 st/steel  
 Body manufactured from 0.9mm Grade 430 st/steel  
 9 x 3kw incoloy elements with low watts density  
 Elements thermostatically controlled between 0-190 C  
 Safety cut off fitted and preset to 215 C  
 Oil reciever included  
 Chip baskets included  
 Tiltout elements

#### Technical Drawing



#### Optional Extras

- Body can be manufactured from 304 st/steel
- Filter holder + filter paper
- Programmable computer

#### Specifications

**Dimensions:** 900 x 800 x 900  
**No of elements:** 9 off  
**Electrical load:** 27 kw, 400v, 3 phase neutral and earth  
**Electrical connection:** 2 meter (5 core) cable with fly lead





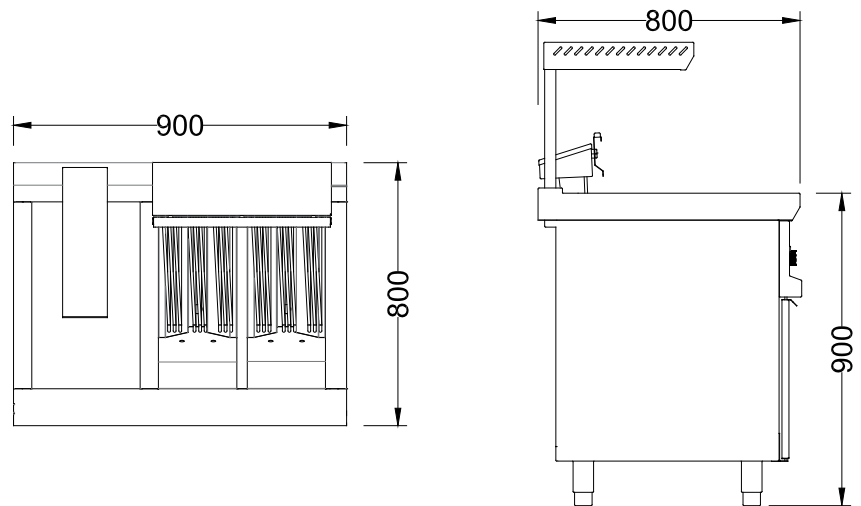
### 2 x 15 Ltr Deep Fat Fryer Combo

**Model:** DFF-T-15L-C  
**Dimensions:** 900 x 800 x 900

#### Features

- Top made from 1.6mm Grade 430 st/steel
- Body manufactured from 0.9mm Grade 430 st/steel
- 9 x 3kw incoloy elements with low watts density
- Elements thermostatically controlled between 0-190 C
- Safety cut off fitted and preset to 215 C
- Oil reciever included
- Chip baskets included
- Tiltout elements
- Food safe heating lamp

#### Technical Drawing



#### Optional Extras

- Body can be manufactured from 304 st/steel
- Filter holder + filter paper
- Programmable computer

#### Specifications

**Dimensions:** 900 x 800 x 900  
**No of elements:** 6 off  
**Electrical load:** 19 kw, 400v, 3 phase neutral and earth  
**Electrical connection:** 2 meter (5 core) cable with fly lead



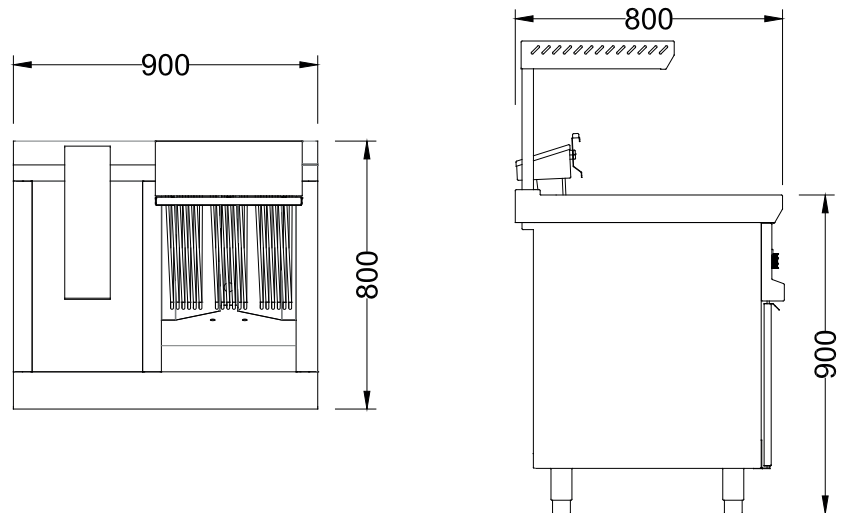
### 1 x 20 Ltr Deep Fat Fryer Combo

**Model:** DFF-20L-C  
**Dimensions:** 900 x 800 x 900

#### Features

- Top made from 1.6mm Grade 430 st/steel
- Body manufactured from 0.9mm Grade 430 st/steel
- 9 x 3kw incoloy elements with low watts density
- Elements thermostatically controlled between 0-190 C
- Safety cut off fitted and preset to 215 C
- Oil reciever included
- Chip baskets included
- Tiltout elements
- Food safe heating lamp

#### Technical Drawing



#### Optional Extras

- Body can be manufactured from 304 st/steel
- Filter holder + filter paper
- Programmable computer

#### Specifications

**Dimensions:** 900 x 800 x 900  
**No of elements:** 6 off  
**Electrical load:** 16 kw, 400v, 3 phase neutral and earth  
**Electrical connection:** 2 meter (5 core) cable with fly lead



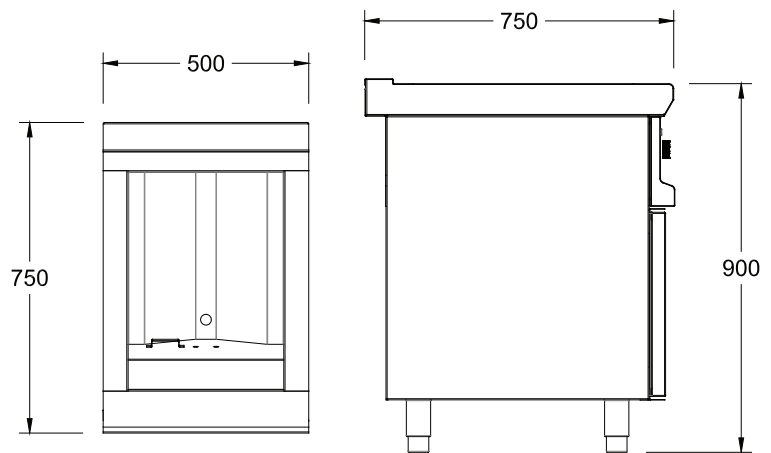
### 1 x 20 Ltr Pasta Cooker

**Model:** PC-20 L  
**Dimensions:** 400 x 800 x 900

#### Features

Top made from 1.6mm Grade 304 st/steel  
Body manufactured from 0.9mm Grade 430 st/steel  
1 x 3 kw st/steel element  
Pasta Baskets included

#### Technical Drawing



#### Optional Extras

- Body can be manufactured from 304 st/steel

#### Specifications

**Dimensions:** 400 x 800 x 900  
**No of elements:** 1 off  
**Electrical load:** 3 kw, 400v, 3 phase neutral and earth  
**Electrical connection:** 2 meter (5 core) cable with fly lead



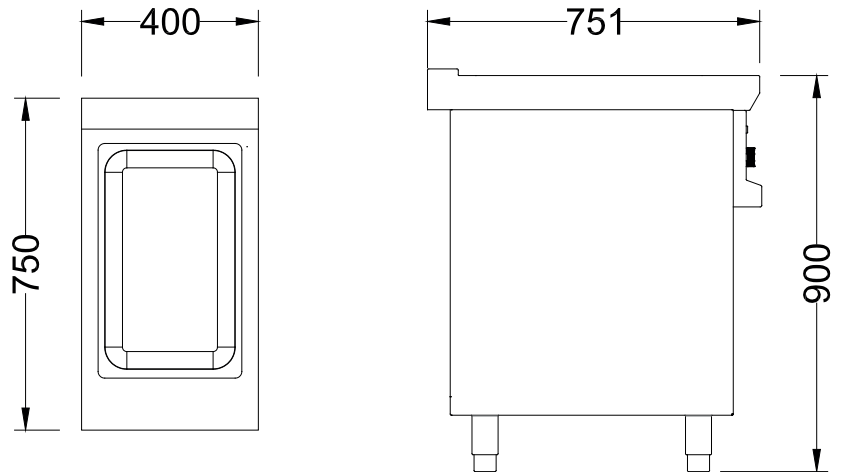
### 1 Division Bain Marie

**Model:** BM-1  
**Dimensions:** 500 x 750 x 900

#### Features

Top made from 1.6mm Grade 304 st/steel  
Body manufactured from 0.9mm Grade 430 st/steel  
1 x 2 kw st/steel element  
Element thermostatically controlled between 0-90 C  
Doors manufactured from 0.9mm 430 st/steel

#### Technical Drawing



#### Optional Extras

- Heated cabinet
- GN inserts: 1/1, 1/2, 1/3, 1/6
- Glass sneeze guard
- Tray slides
- Automatic water level

#### Specifications

**Dimensions:** 500 x 750 x 900  
**No of elements:** 1 off  
**Electrical load:** 2 kw, 230v  
**Electrical connection:** 2 meter (3 core) cable with fly lead



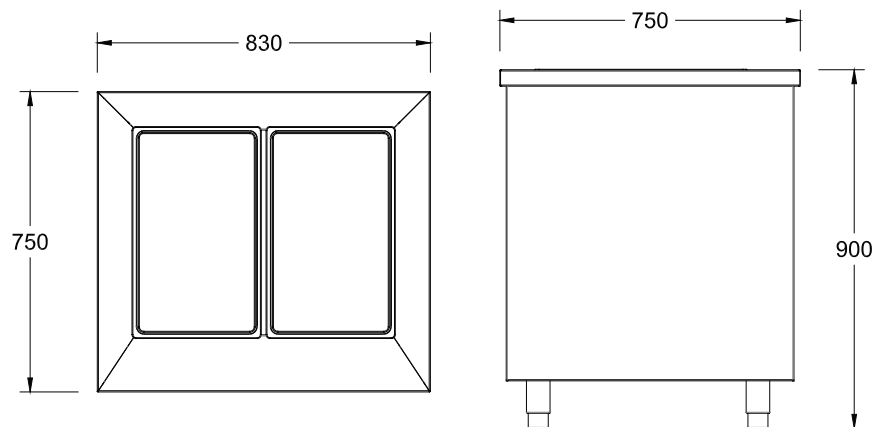
### 2 Division Bain Marie

**Model:** BM-2  
**Dimensions:** 830 x 750 x 900

#### Features

Top made from 1.6mm Grade 304 st/steel  
Body manufactured from 0.9mm Grade 430 st/steel  
1 x 2 kw st/steel element  
Element thermostatically controlled between 0-90 C  
Doors manufactured from 0.9mm 430 st/steel

#### Technical Drawing



#### Optional Extras

- Heated cabinet
- GN inserts: 1/1, 1/2, 1/3, 1/6
- Glass sneeze guard
- Tray slides
- Automatic water level

#### Specifications

**Dimensions:** 830 x 750 x 900  
**No of elements:** 1 off  
**Electrical load:** 2 kw, 230v  
**Electrical connection:** 2 meter (3 core) cable with fly lead



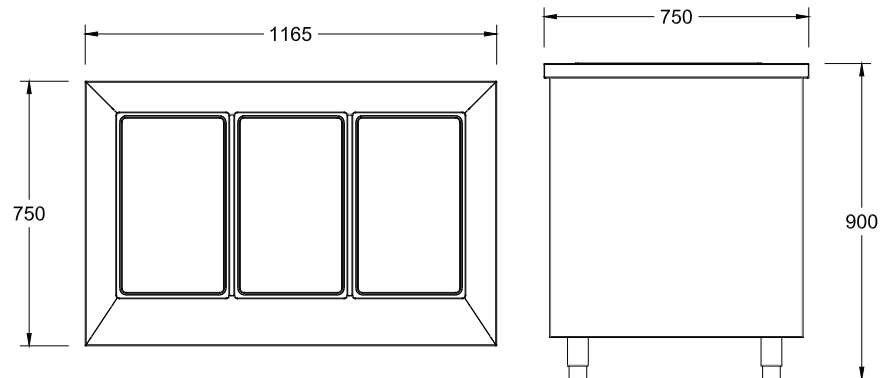
### 3 Division Bain Marie

**Model:** BM-3  
**Dimensions:** 1165 x 750 x 900

#### Features

Top made from 1.6mm Grade 304 st/steel  
Body manufactured from 0.9mm Grade 430 st/steel  
1 x 2 kw st/steel element  
Element thermostatically controlled between 0-90 C  
Doors manufactured from 0.9mm 430 st/steel

#### Technical Drawing



#### Optional Extras

- Heated cabinet
- GN inserts: 1/1, 1/2, 1/3, 1/6
- Glass sneeze guard
- Tray slides
- Automatic water level

#### Specifications

**Dimensions:** 1165 x 750 x 900  
**No of elements:** 1 off  
**Electrical load:** 2 kw, 230v  
**Electrical connection:** 2 meter (3 core) cable with fly lead





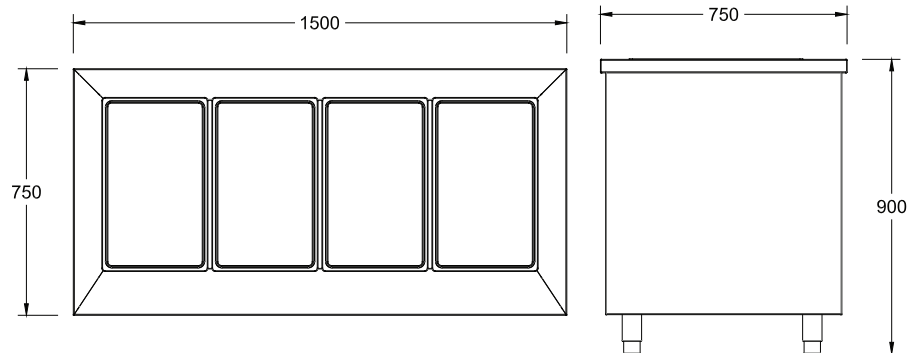
### 4 Division Bain Marie

**Model:** BM-4  
**Dimensions:** 1500 x 750 x 900

#### Features

Top made from 1.6mm Grade 304 st/steel  
Body manufactured from 0.9mm Grade 430 st/steel  
1 x 2 kw st/steel element  
Element thermostatically controlled between 0-90 C  
Doors manufactured from 0.9mm 430 st/steel

#### Technical Drawing



#### Optional Extras

- Heated cabinet
- GN inserts: 1/1, 1/2, 1/3, 1/6
- Glass sneeze guard
- Tray slides
- Automatic water level

#### Specifications

**Dimensions:** 1500 x 750 x 900  
**No of elements:** 1 off  
**Electrical load:** 4 kw, 400v, 3 phase neutral and earth  
**Electrical connection:** 2 meter (3 core) cable with fly lead



### 5 Division Bain Marie

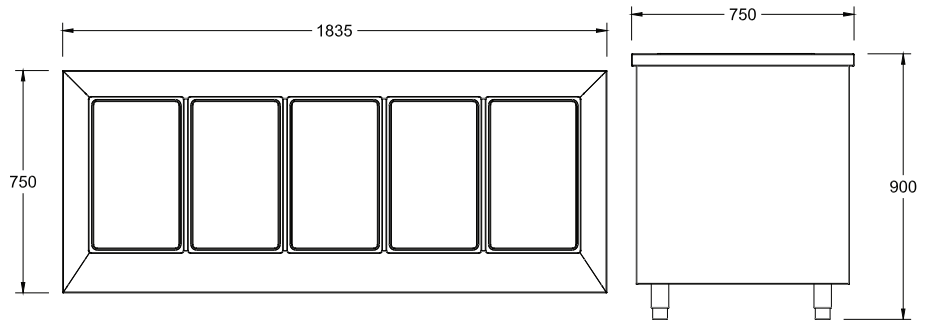
**Model:** BM-4

**Dimensions:** 1835 x 750 x 900

#### Features

Top made from 1.6mm Grade 304 st/steel  
Body manufactured from 0.9mm Grade 430 st/steel  
1 x 2 kw st/steel element  
Element thermostatically controlled between 0-90 C  
Doors manufactured from 0.9mm 430 st/steel

#### Technical Drawing



#### Optional Extras

- Heated cabinet
- GN inserts: 1/1, 1/2, 1/3, 1/6
- Glass sneeze guard
- Tray slides
- Automatic water level

#### Specifications

Dimensions: 1835 x 750 x 900  
No of elements: 1 off  
Electrical load: 4 kw, 400v, 3 phase neutral and earth  
Electrical connection: 2 meter (3 core) cable with fly lead



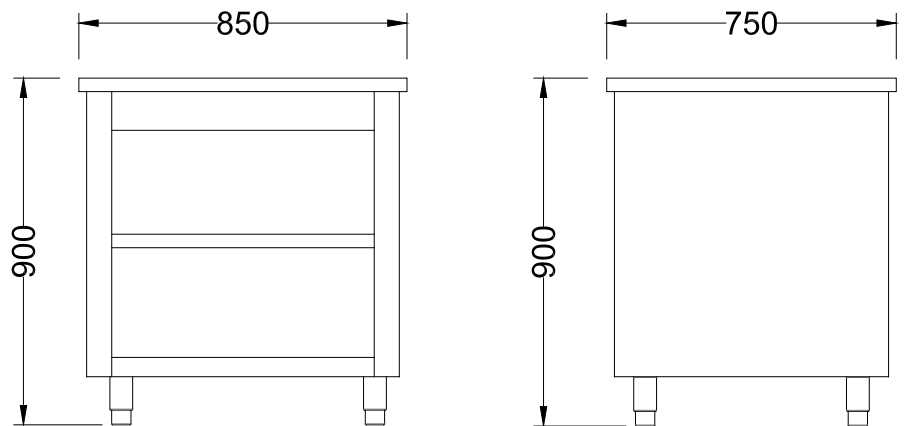
### 850 Neutral Counter

**Model:** NC-850  
**Dimensions:** 850 x 750 x 900

#### Features

Top made from 0.9mm Grade 430 st/steel  
Body manufactured from 0.9mm Grade 430 st/steel

#### Technical Drawing



#### Optional Extras

- Heated cabinet
- Glass sneeze guard
- Tray slides

#### Specifications

Dimensions: 850 x 750 x 900



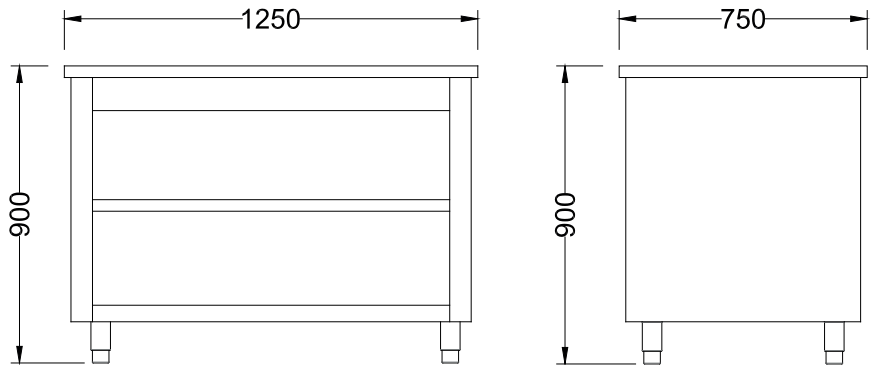
### 1250 Neutral Counter

**Model:** NC-1250  
**Dimensions:** 1250 x 750 x 900

#### Features

Top made from 0.9mm Grade 430 st/steel  
Body manufactured from 0.9mm Grade 430 st/steel

#### Technical Drawing



#### Optional Extras

- Heated cabinet
- Glass sneeze guard
- Tray slides

#### Specifications

**Dimensions:** 1250 x 750 x 900



### 1500 Neutral Counter

**Model:** NC-1500

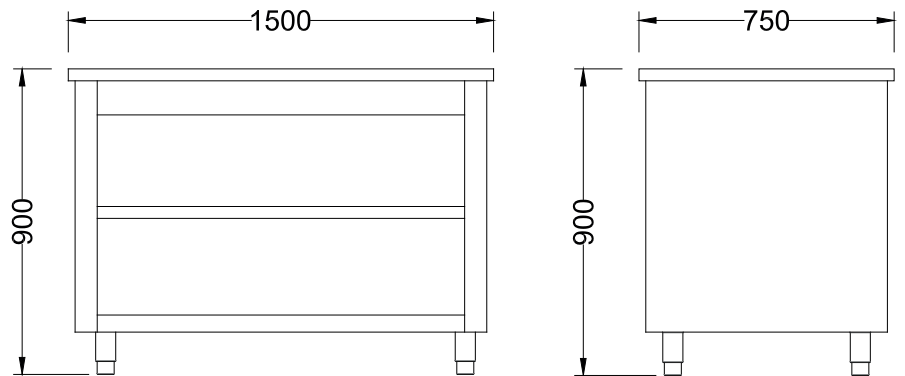
**Dimensions:** 1500 x 750 x 900

#### Features

Top made from 0.9mm Grade 430 st/steel

Body manufactured from 0.9mm Grade 430 st/steel

#### Technical Drawing



#### Optional Extras

- Heated cabinet
- Glass sneeze guard
- Tray slides

#### Specifications

Dimensions: 1500 x 750 x 900



### 1850 Neutral Counter

**Model:** NC-1850

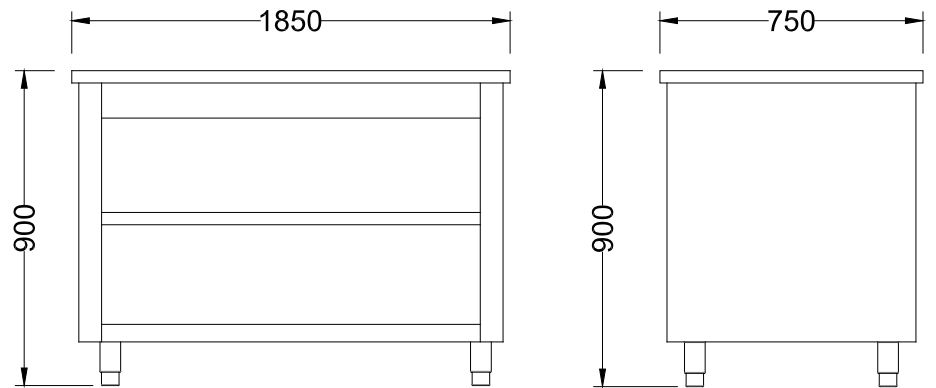
**Dimensions:** 1850 x 750 x 900

#### Features

Top made from 0.9mm Grade 430 st/steel

Body manufactured from 0.9mm Grade 430 st/steel

#### Technical Drawing



#### Optional Extras

- Heated cabinet
- Glass sneeze guard
- Tray slides

#### Specifications

**Dimensions:** 1850 x 750 x 900





### 2 Burner Gas Boiling Table

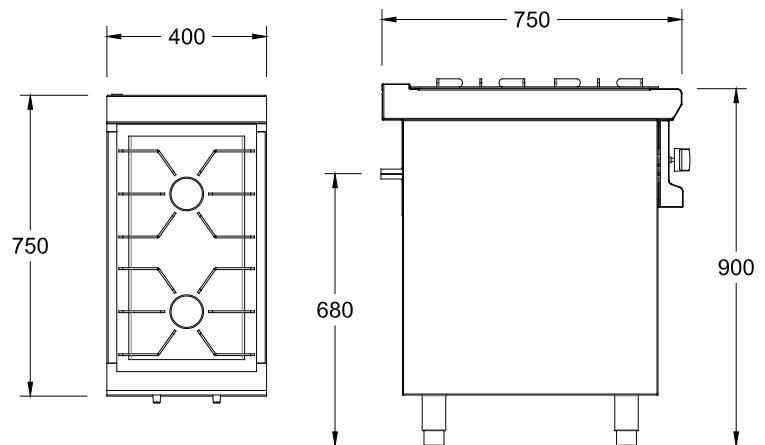
**Model:** BT-2  
**Dimensions:** 400 x 800 x 900



#### Features

Top made from 1.6mm Grade 430 st/steel  
Body manufactured from 0.9mm Grade 430 st/steel

#### Technical Drawing



#### Optional Extras

- Body and top section can be manufactured from 304 s/steel

#### Specifications

**Dimensions:** 400 x 800 x 900  
**No of burners:** 2 burners  
**Gas pressure:** LPG: 2.7Kpa  
**Gas consumption:** 1.28 kg/Hr



### 4 Burner Gas Boiling Table

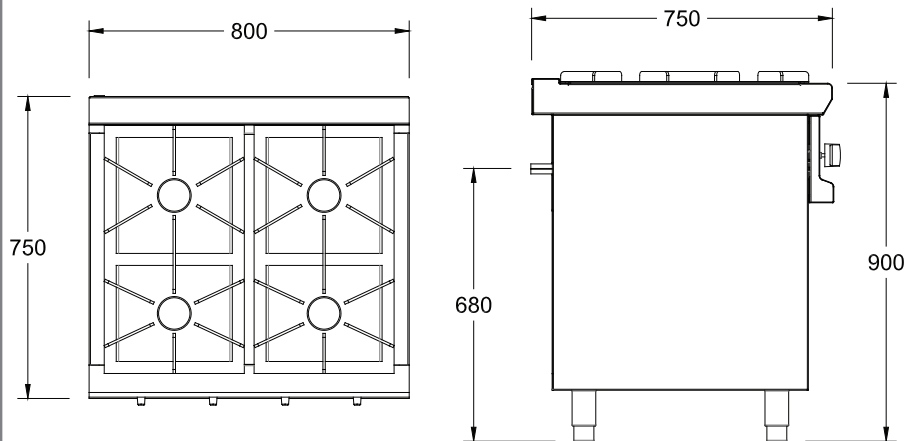
**Model:** BT-4  
**Dimensions:** 800 x 800 x 900



#### Features

Top made from 1.6mm Grade 430 st/steel  
Body manufactured from 0.9mm Grade 430 st/steel

#### Technical Drawing



#### Optional Extras

- Body and top section can be manufactured from 304 s/steel

#### Specifications

**Dimensions:** 800 x 800 x 900  
**No of burners:** 4 burners  
**Gas pressure:** LPG: 2.7Kpa  
**Gas consumption:** 2.56 kg/Hr



### 6 Burner Gas Boiling Table

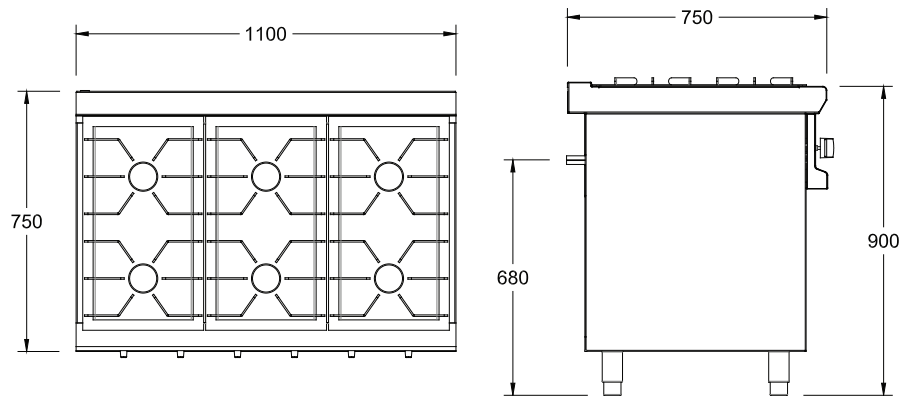
**Model:** BT-6  
**Dimensions:** 1100 x 800 x 900



#### Features

Top made from 1.6mm Grade 430 st/steel  
Body manufactured from 0.9mm Grade 430 st/steel

#### Technical Drawing



#### Optional Extras

- Body and top section can be manufactured from 304 s/steel

#### Specifications

**Dimensions:** 1100 x 800 x 900  
**No of burners:** 6 burners  
**Gas pressure:** LPG: 2.7Kpa  
**Gas consumption:** 3.84 kg/Hr



### 6 Burner Staggered Gas Boiling Table

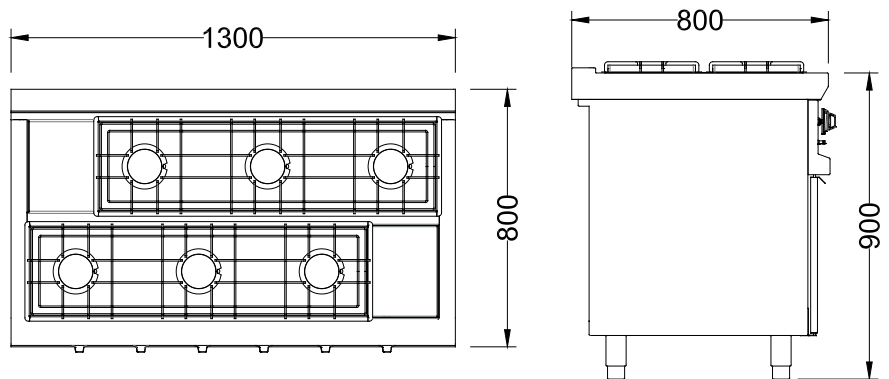
**Model:** BT-6/S  
**Dimensions:** 1300 x 800 x 900



#### Features

Top made from 1.6mm Grade 430 st/steel  
Body manufactured from 0.9mm Grade 430 st/steel

#### Technical Drawing



#### Optional Extras

- Body and top section can be manufactured from 304 s/steel

#### Specifications

**Dimensions:** 1300 x 800 x 900  
**No of burners:** 6 burners  
**Gas pressure:** LPG: 2.7Kpa  
**Gas consumption:** 3.84 kg/Hr



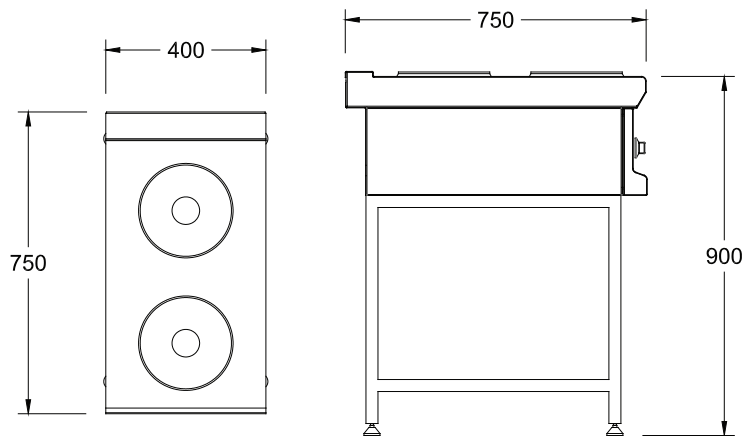
### 2 Plate Electric Boiling Table

**Model:** BT-E/2P  
**Dimensions:** 400 x 800 x 900

#### Features

Top made from 1.6mm Grade 430 st/steel  
Body manufactured from 0.9mm Grade 430 st/steel

#### Technical Drawing



#### Optional Extras

- Body and top section can be manufactured from 304 s/steel

#### Specifications

**Dimensions:** 400 x 800 x 900  
**No of elements:** 2 off  
**Electrical load:** 4 kw, 230v  
**Electrical connection:** 2 meter (3 core) cable with fly lead



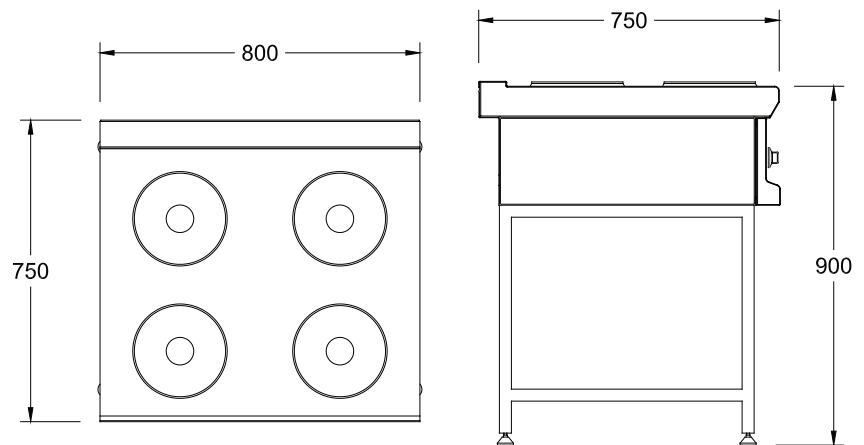
### 4 Plate Electric Boiling Table

**Model:** BT-E/4P  
**Dimensions:** 800 x 800 x 900

#### Features

Top made from 1.6mm Grade 430 st/steel  
Body manufactured from 0.9mm Grade 430 st/steel

#### Technical Drawing



#### Optional Extras

- Body and top section can be manufactured from 304 s/steel

#### Specifications

**Dimensions:** 800 x 800 x 900  
**No of elements:** 4 off  
**Electrical load:** 8 kw, 380v, 3 phase neutral and earth  
**Electrical connection:** 2 meter (5 core) cable with fly lead





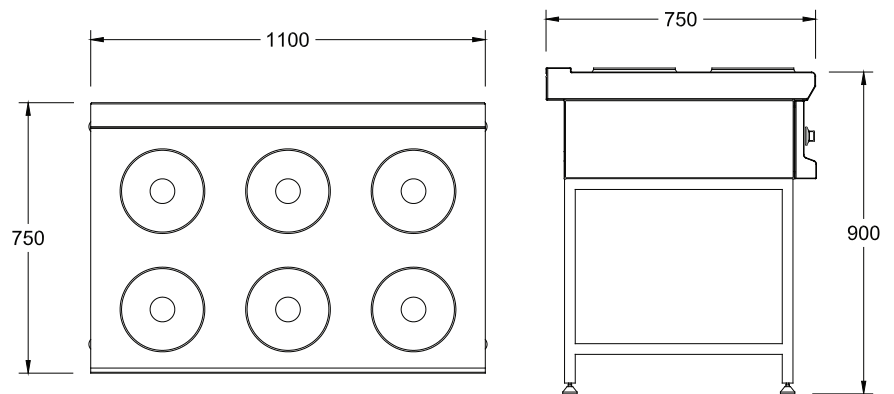
### 6 Plate Electric Boiling Table

**Model:** BT-E/6P  
**Dimensions:** 1100 x 800 x 900

#### Features

Top made from 1.6mm Grade 430 st/steel  
Body manufactured from 0.9mm Grade 430 st/steel

#### Technical Drawing



#### Optional Extras

- Body and top section can be manufactured from 304 s/steel

#### Specifications

Dimensions: 1100 x 800 x 900  
No of elements: 6 off  
Electrical load: 12 kw, 380v, 3 phase neutral and earth  
Electrical connection: 2 meter (5 core) cable with fly lead



### Wall Mounted Cabinet

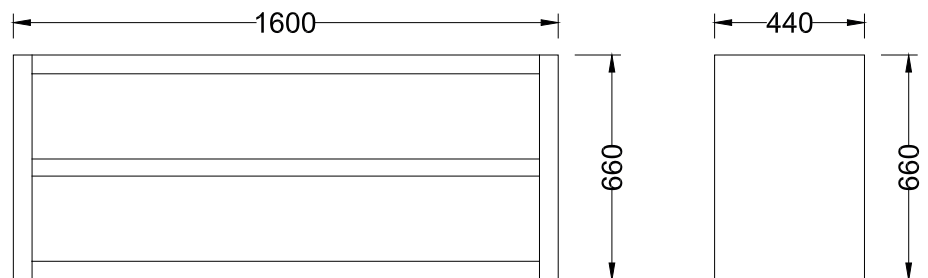
**Model:** WC-1600

**Dimensions:** 1600 x 440 x 660

#### Features

Manufactured from  
0.9mm Grade 430 st/steel

#### Technical Drawing



#### Optional Extras

- Body and top section can be manufactured from 304 s/steel
- Can be made to size

#### Specifications

Dimensions: 1600 x 440 x 660



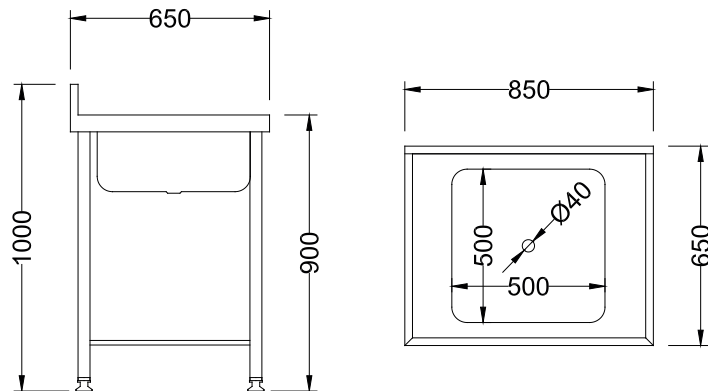
### 850 Single Bowl Prep Sink

**Model:** S-Prep/850  
**Dimensions:** 850 x 650 x 900

#### Features

Pressed bowl manufactured from 1.2mm 304 st/steel  
Top manufactured from various grades of st/steel  
splash back 100mm high  
Dia 40mm round st/steel legs

#### Technical Drawing



#### Optional Extras

- Tops can be manufactured from:  
0.9mm 430 st/steel  
1.2mm 430 st/steel  
0.9mm 304 st/steel  
1.2mm 304 st/steel  
Tubular st/steel pot rack  
40 x 40 square tube legs  
Splash guards on sides

#### Specifications

**Dimensions:** 850 x 650 x 900  
**Bowl dimensions:** 500 x 500 x 250



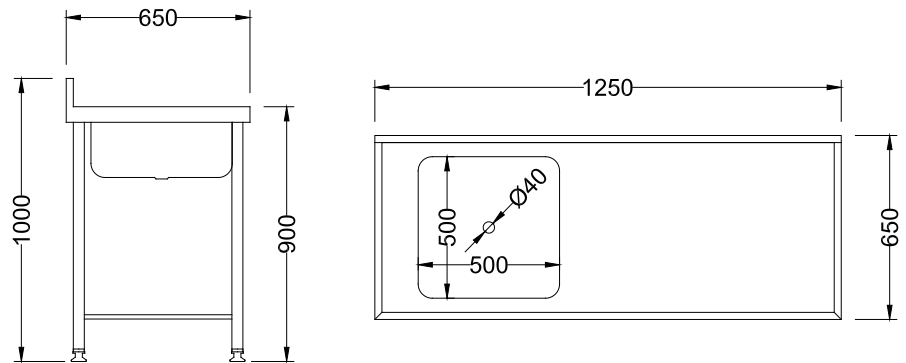
### 1250 Single Bowl Prep Sink

**Model:** S-Prep/1250  
**Dimensions:** 850 x 650 x 900

#### Features

Pressed bowl manufactured from 1.2mm 304 st/steel  
Top manufactured from various grades of st/steel  
splash back 100mm high  
Dia 40mm round st/steel legs

#### Technical Drawing



#### Optional Extras

- Tops can be manufactured from:  
0.9mm 430 st/steel  
1.2mm 430 st/steel  
0.9mm 304 st/steel  
1.2mm 304 st/steel  
Tubular st/steel pot rack  
40 x 40 square tube legs  
Splash guards on sides

#### Specifications

**Dimensions:** 1250 x 650 x 900  
**Bowl dimensions:** 500 x 500 x 250



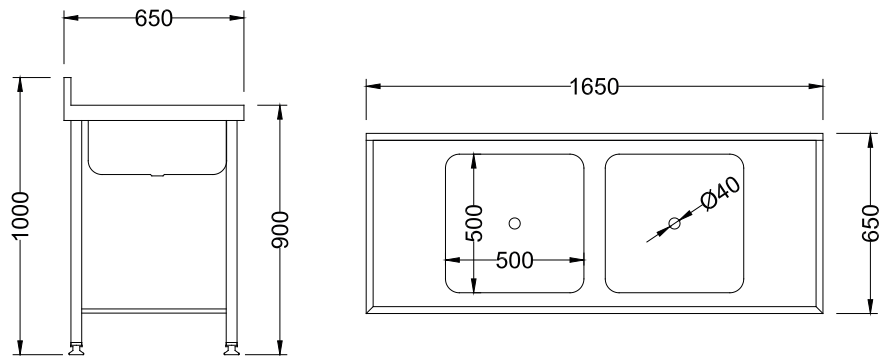
### 1650 Double Bowl Prep Sink

**Model:** S-DPrep/1650  
**Dimensions:** 1650 x 650 x 900

#### Features

Pressed bowl manufactured from 1.2mm 304 st/steel  
Top manufactured from various grades of st/steel  
splash back 100mm high  
Dia 40mm round st/steel legs

#### Technical Drawing



#### Optional Extras

- Tops can be manufactured from:  
0.9mm 430 st/steel  
1.2mm 430 st/steel  
0.9mm 304 st/steel  
1.2mm 304 st/steel  
Tubular st/steel pot rack  
40 x 40 square tube legs  
Splash guards on sides

#### Specifications

**Dimensions:** 1650 x 650 x 900  
**Bowl dimensions:** 500 x 500 x 250



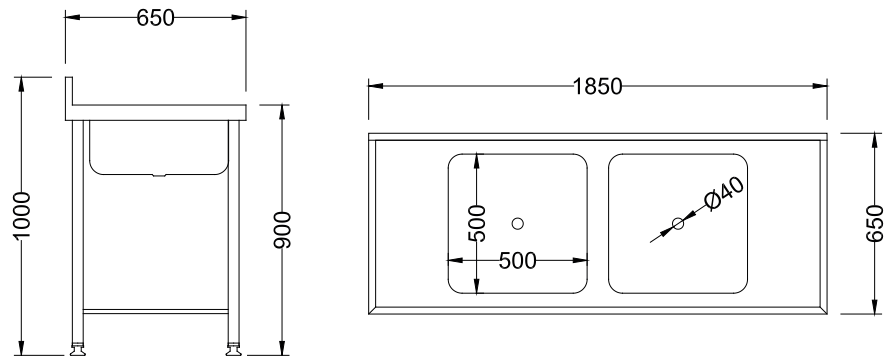
### 1850 Double Bowl Prep Sink

**Model:** S-DPrep/1850  
**Dimensions:** 1850 x 650 x 900

#### Features

Pressed bowl manufactured from 1.2mm 304 st/steel  
Top manufactured from various grades of st/steel  
splash back 100mm high  
Dia 40mm roud st/steel legs

#### Technical Drawing



#### Optional Extras

- Tops can be manufactured from:  
0.9mm 430 st/steel  
1.2mm 430 st/steel  
0.9mm 304 st/steel  
1.2mm 304 st/steel  
Tubular st/steel pot rack  
40 x 40 square tube legs  
Splash guards on sides

#### Specifications

**Dimensions:** 1850 x 650 x 900  
**Bowl dimensions:** 500 x 500 x 250



### 2250 Double Bowl Prep Sink

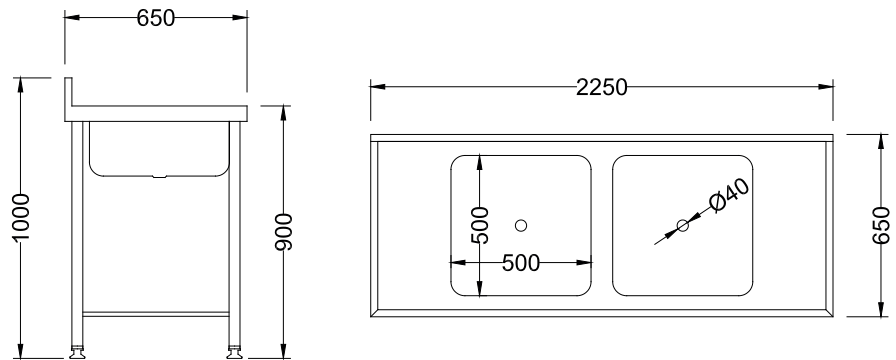
**Model:** S-DPrep/2250

**Dimensions:** 2250 x 650 x 900

#### Features

Pressed bowl manufactured from 1.2mm 304 st/steel  
Top manufactured from various grades of st/steel  
splash back 100mm high  
Dia 40mm round st/steel legs

#### Technical Drawing



#### Optional Extras

- Tops can be manufactured from:  
0.9mm 430 st/steel  
1.2mm 430 st/steel  
0.9mm 304 st/steel  
1.2mm 304 st/steel  
Tubular st/steel pot rack  
40 x 40 square tube legs  
Splash guards on sides

#### Specifications

Dimensions: 2250 x 650 x 900

Bowl dimensions: 500 x 500 x 250



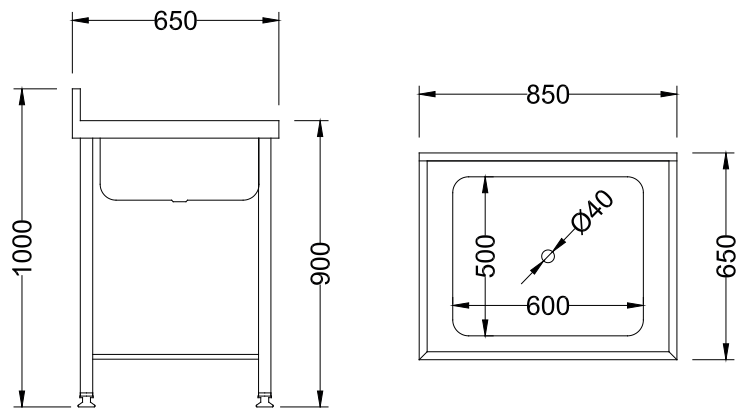
### 850 Single Bowl Pot Sink

**Model:** S-Pot/850  
**Dimensions:** 850 x 650 x 900

#### Features

Pressed bowl manufactured from 1.2mm 304 st/steel  
Top manufactured from various grades of st/steel  
splash back 100mm high  
Dia 40mm round st/steel legs

#### Technical Drawing



#### Optional Extras

- Tops can be manufactured from:  
0.9mm 430 st/steel  
1.2mm 430 st/steel  
0.9mm 304 st/steel  
1.2mm 304 st/steel  
Tubular st/steel pot rack  
40 x 40 square tube legs  
Splash guards on sides

#### Specifications

**Dimensions:** 850 x 650 x 900  
**Bowl dimensions:** 600 x 500 x 250





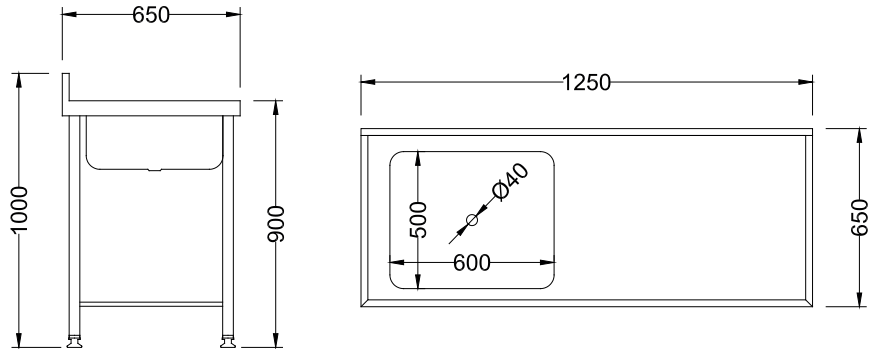
### 1250 Single Bowl Pot Sink

**Model:** S-Pot/1250  
**Dimensions:** 850 x 650 x 900

#### Features

Pressed bowl manufactured from 1.2mm 304 st/steel  
Top manufactured from various grades of st/steel  
splash back 100mm high  
Dia 40mm roud st/steel legs

#### Technical Drawing



#### Optional Extras

- Tops can be manufactured from:  
0.9mm 430 st/steel  
1.2mm 430 st/steel  
0.9mm 304 st/steel  
1.2mm 304 st/steel  
Tubular st/steel pot rack  
40 x 40 square tube legs  
Splash guards on sides

#### Specifications

**Dimensions:** 1250 x 650 x 900  
**Bowl dimensions:** 600 x 500 x 250



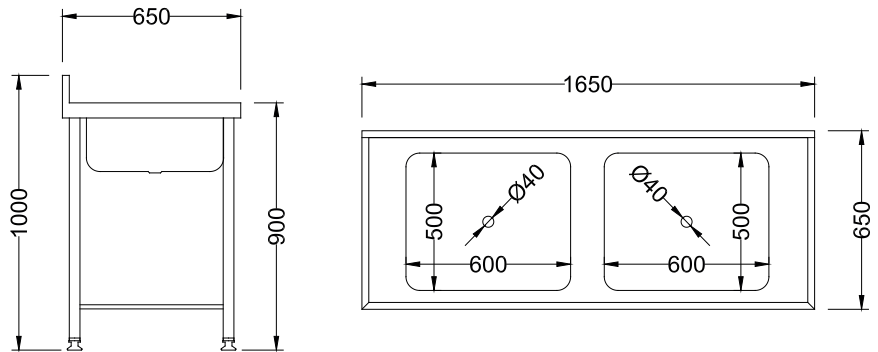
### 1650 Double Bowl Pot Sink

**Model:** S-DPot/1650  
**Dimensions:** 1650 x 650 x 900

#### Features

Pressed bowl manufactured from 1.2mm 304 st/steel  
Top manufactured from various grades of st/steel  
splash back 100mm high  
Dia 40mm round st/steel legs

#### Technical Drawing



#### Optional Extras

- Tops can be manufactured from:  
0.9mm 430 st/steel  
1.2mm 430 st/steel  
0.9mm 304 st/steel  
1.2mm 304 st/steel  
Tubular st/steel pot rack  
40 x 40 square tube legs  
Splash guards on sides

#### Specifications

**Dimensions:** 1650 x 650 x 900  
**Bowl dimensions:** 600 x 500 x 250



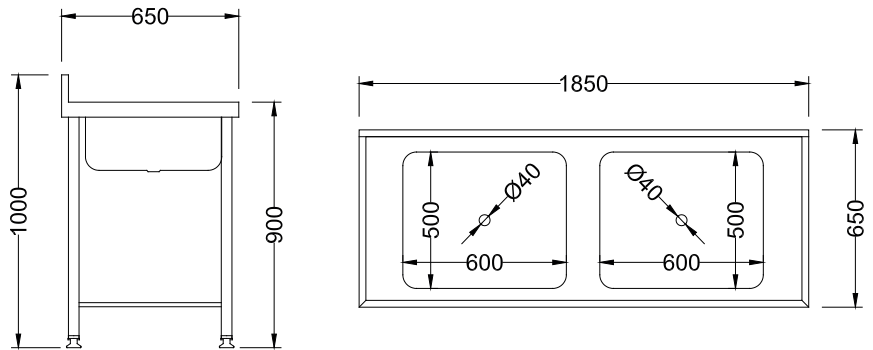
### 1850 Double Bowl Pot Sink

**Model:** S-DPot/1850  
**Dimensions:** 1850 x 650 x 900

#### Features

Pressed bowl manufactured from 1.2mm 304 st/steel  
Top manufactured from various grades of st/steel  
splash back 100mm high  
Dia 40mm round st/steel legs

#### Technical Drawing



#### Optional Extras

- Tops can be manufactured from:  
0.9mm 430 st/steel  
1.2mm 430 st/steel  
0.9mm 304 st/steel  
1.2mm 304 st/steel  
Tubular st/steel pot rack  
40 x 40 square tube legs  
Splash guards on sides

#### Specifications

**Dimensions:** 1850 x 650 x 900  
**Bowl dimensions:** 600 x 500 x 250



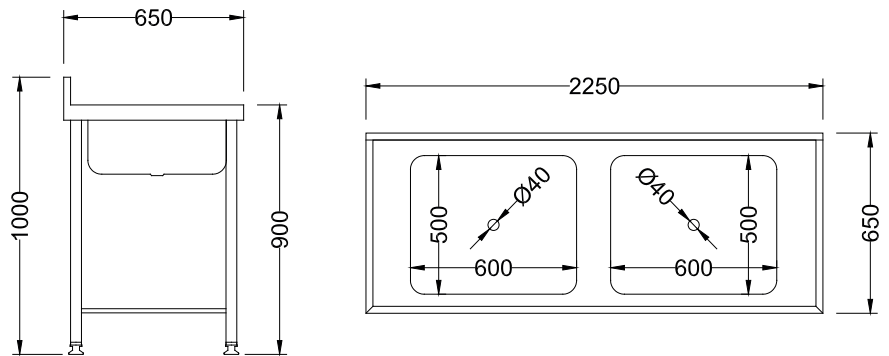
### 2250 Double Bowl Pot Sink

**Model:** S-DPot/2250  
**Dimensions:** 2250 x 650 x 900

#### Features

Pressed bowl manufactured from 1.2mm 304 st/steel  
Top manufactured from various grades of st/steel  
splash back 100mm high  
Dia 40mm round st/steel legs

#### Technical Drawing



#### Optional Extras

- Tops can be manufactured from:  
0.9mm 430 st/steel  
1.2mm 430 st/steel  
0.9mm 304 st/steel  
1.2mm 304 st/steel  
Tubular st/steel pot rack  
40 x 40 square tube legs  
Splash guards on sides

#### Specifications

**Dimensions:** 2250 x 650 x 900  
**Bowl dimensions:** 600 x 500 x 250



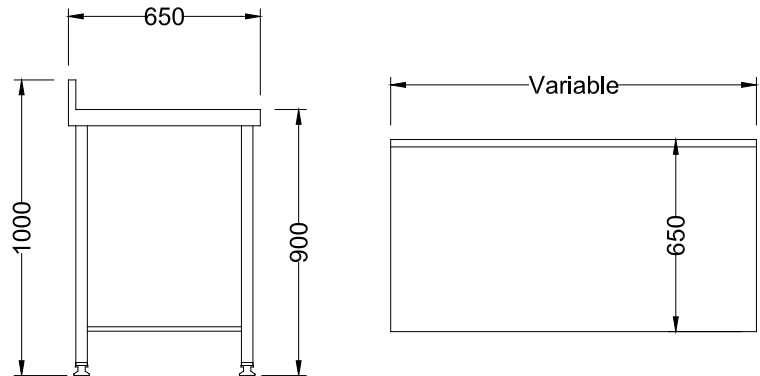
### Splash Back Table

Model: TB/SB

#### Features

Manufactured from 0.9mm 430 st/steel  
Top manufactured from various grades of st/steel  
splash back 100mm high

#### Technical Drawing



#### Optional Extras

- Tops can be manufactured from:  
0.9mm 430 st/steel  
1.2mm 430 st/steel  
0.9mm 304 st/steel  
1.2mm 304 st/steel  
Galvanised or st/steel undershelf  
40 x 40 square tube legs  
Splash guards on sides

#### Specifications

Dimensions: Variable x 650 x 900



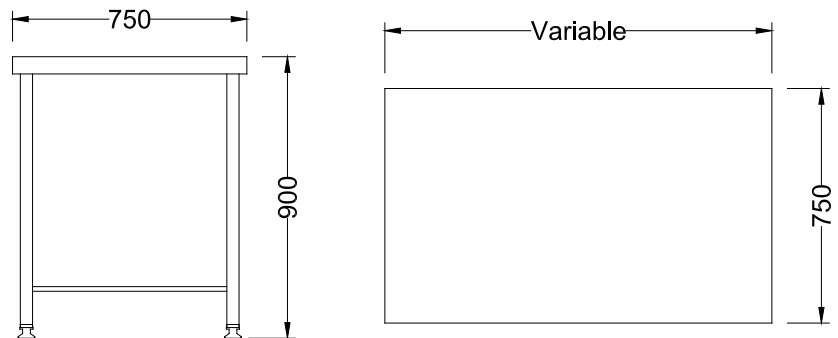
### Plain Top Table

Model: TB/PT

#### Features

Manufactured from 0.9mm 430 st/steel  
Top manufactured from various grades of st/steel  
splash back 100mm high

#### Technical Drawing



#### Optional Extras

- Tops can be manufactured from:  
0.9mm 430 st/steel  
1.2mm 430 st/steel  
0.9mm 304 st/steel  
1.2mm 304 st/steel  
Galvanised or st/steel undershelf  
40 x 40 square tube legs  
Splash guards on sides

#### Specifications

Dimensions: Variable x 750 x 900



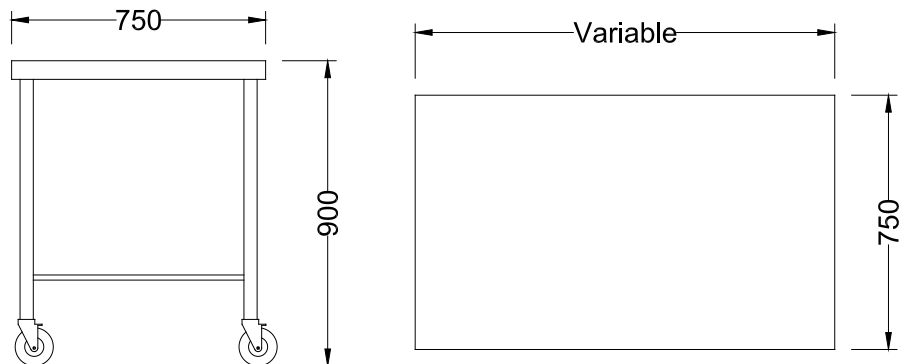
### Mobile Plain Top Table

Model: TB/PT-M

#### Features

Manufactured from 0.9mm 430 st/steel  
Top manufactured from various grades of st/steel  
splash back 100mm high

#### Technical Drawing



#### Optional Extras

- Tops can be manufactured from:  
0.9mm 430 st/steel  
1.2mm 430 st/steel  
0.9mm 304 st/steel  
1.2mm 304 st/steel  
Galvanised or st/steel undershelf  
40 x 40 square tube legs  
Splash guards on sides

#### Specifications

Dimensions: Variable x 750 x 900



### 4 Burner Gas Flattop

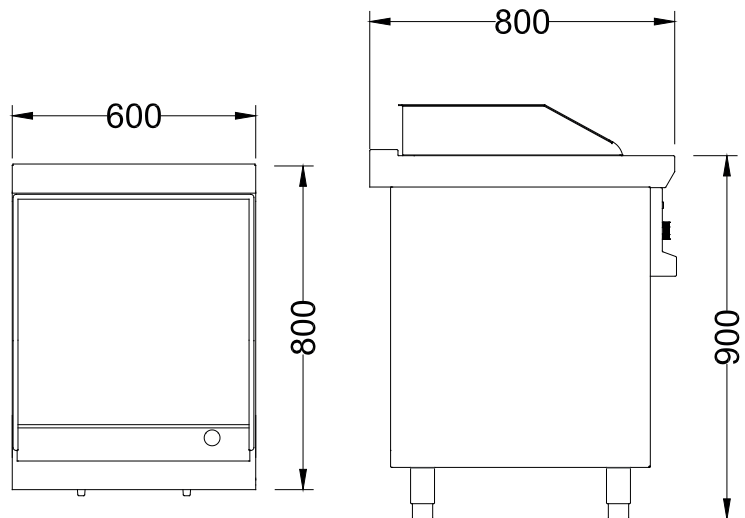
**Model:** G-FT/4  
**Dimensions:** 600 x 800 x 900



#### Features

- Top made from 1.6mm Grade 430 st/steel
- Body manufactured from 0.9mm Grade 430 st/steel
- Splash guards manufactured from 2.0mm Grade 430 st/steel
- Easily removable burners for cleaning purposes
- Removable flattop plate for easy cleaning

#### Technical Drawing



#### Optional Extras

- Body can be manufactured from 304 st/steel
- Front door to suit body
- Marinade holder

#### Specifications

**Dimensions:** 600 x 800 x 900  
**No of burners:** 4 burners  
**Gas pressure:** LPG: 2.7Kpa  
**Gas consumption:** 1.04 kg/Hr





### 6 Burner Gas Flattop

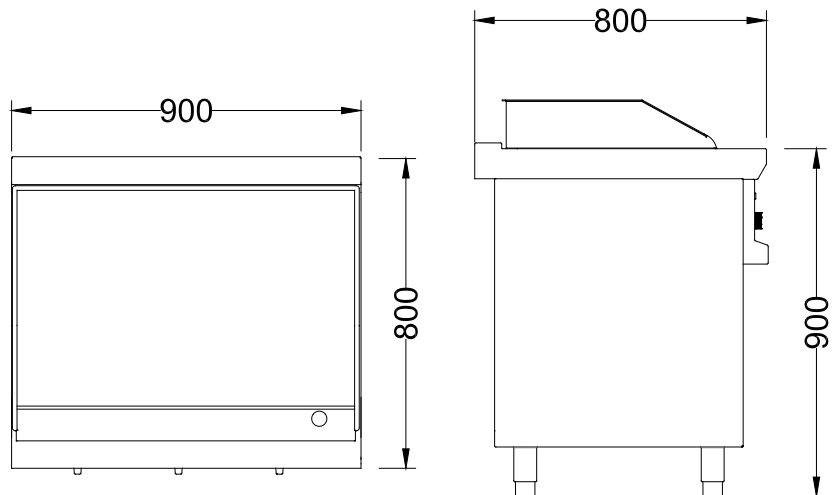
**Model:** G-FT/6  
**Dimensions:** 900 x 800 x 900



#### Features

- Top made from 1.6mm Grade 430 st/steel
- Body manufactured from 0.9mm Grade 430 st/steel
- Splash guards manufactured from 2.0mm Grade 430 st/steel
- Easily removable burners for cleaning purposes
- Removable flattop plate for easy cleaning

#### Technical Drawing



#### Optional Extras

- Body can be manufactured from 304 st/steel
- Front door to suit body
- Marinade holder

#### Specifications

**Dimensions:** 900 x 800 x 900  
**No of burners:** 6 burners  
**Gas pressure:** LPG: 2.7Kpa  
**Gas consumption:** 1.56 kg/Hr



### 8 Burner Gas Flattop

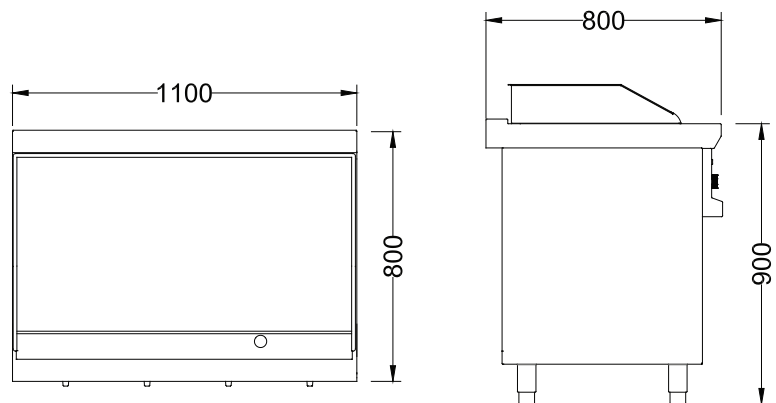
**Model:** G-FT/8  
**Dimensions:** 1100 x 800 x 900



#### Features

- Top made from 1.6mm Grade 430 st/steel
- Body manufactured from 0.9mm Grade 430 st/steel
- Splash guards manufactured from 2.0mm Grade 430 st/steel
- Easily removable burners for cleaning purposes
- Removable flattop plate for easy cleaning

#### Technical Drawing



#### Optional Extras

- Body can be manufactured from 304 st/steel
- Front door to suit body
- Marinade holder

#### Specifications

**Dimensions:** 1100 x 800 x 900  
**No of burners:** 8 burners  
**Gas pressure:** LPG: 2.7Kpa  
**Gas consumption:** 2.08 kg/Hr



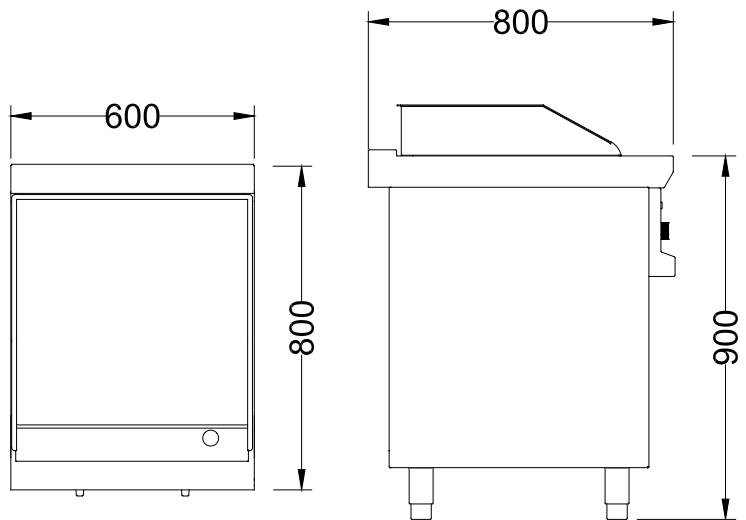
### Electric Flattop Flattop

**Model:** E-FT/600  
**Dimensions:** 600 x 800 x 900

#### Features

Top made from 1.6mm Grade 430 st/steel  
Body manufactured from 0.9mm Grade 430 st/steel  
Splash guards manufactured from 2.0mm Grade 430 st/steel  
6 x 1.5kw incoloy elements  
Elements thermostatically controlled between 0-300 C

#### Technical Drawing



#### Optional Extras

- Body can be manufactured from 304 st/steel
- Front door to suit body
- Marinade holder

#### Specifications

**Dimensions:** 600 x 800 x 900  
**No of elements:** 6 off  
**Electrical load:** 9 kw, 400v, 3 phase neutral and earth  
**Electrical connection:** 2 meter (5 core) cable with fly lead



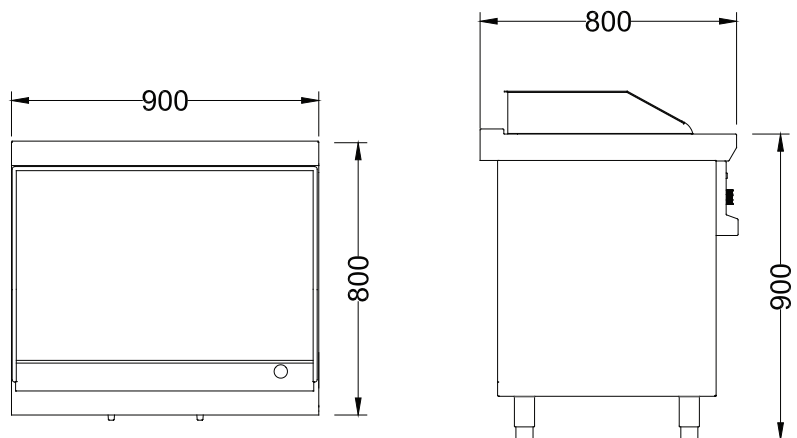
### Electric Flattop Flattop

**Model:** E-FT/900  
**Dimensions:** 900 x 800 x 900

#### Features

Top made from 1.6mm Grade 430 st/steel  
Body manufactured from 0.9mm Grade 430 st/steel  
Splash guards manufactured from 2.0mm Grade 430 st/steel  
6 x 1.5kw incoloy elements  
Elements thermostatically controlled between 0-300 C

#### Technical Drawing



#### Optional Extras

- Body can be manufactured from 304 st/steel
- Front door to suit body
- Marinade holder

#### Specifications

**Dimensions:** 900 x 800 x 900  
**No of elements:** 6 off  
**Electrical load:** 9 kw, 400v, 3 phase neutral and earth  
**Electrical connection:** 2 meter (5 core) cable with fly lead



### Electric Flattop Flattop

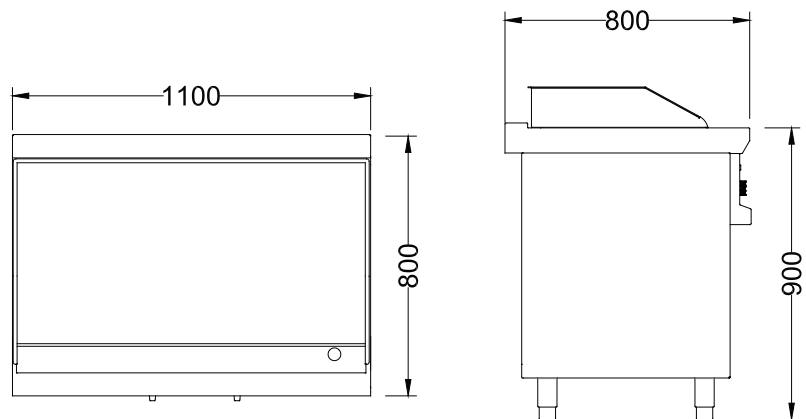
**Model:** E-FT/1100

**Dimensions:** 1100 x 800 x 900

#### Features

Top made from 1.6mm Grade 430 st/steel  
Body manufactured from 0.9mm Grade 430 st/steel  
Splash guards manufactured from 2.0mm Grade 430 st/steel  
6 x 1.5kw incoloy elements  
Elements thermostatically controlled between 0-300 C

#### Technical Drawing



#### Optional Extras

- Body can be manufactured from 304 st/steel
- Front door to suit body
- Marinade holder

#### Specifications

Dimensions: 1100 x 800 x 900  
No of elements: 6 off  
Electrical load: 9 kw, 400v, 3 phase neutral and earth  
Electrical connection: 2 meter (5 core) cable with fly lead



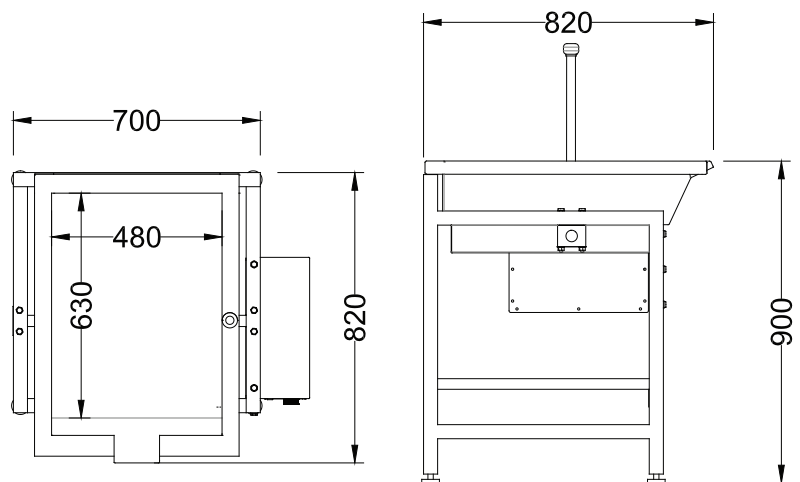
### 40 Ltr Electric Tilting Skillet

**Model:** TP-40L-E  
**Dimensions:** 700 x 820 x 900

#### Features

Top made from 2.0mm Grade 304 st/steel  
Frame manufactured from 40 x 40 square tubing  
Sides welded to a 10mm boiler plate  
Thermostatically controlled from 50 - 300 C

#### Technical Drawing



#### Optional Extras

- insert trolley
- inserts
- Lid for pan

#### Specifications

**Dimensions:** 700 x 820 x 900  
**No of elements:** 3 off  
**Electrical load:** 9 kw, 400v, 3 phase neutral and earth  
**Electrical connection:** 2 meter (5 core) cable with fly lead



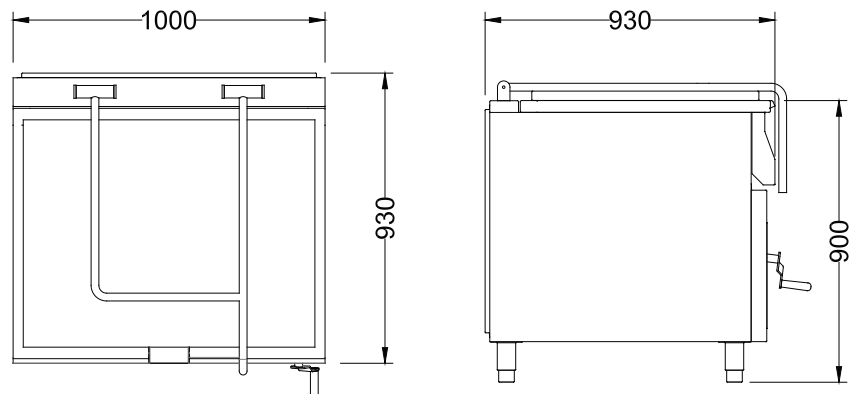
### 80 Ltr Electric Tilting Frying Pan

**Model:** TP-80L-E  
**Dimensions:** 1000 x 930 x 900

#### Features

Top made from 2.0mm Grade 304 st/steel  
Body manufactured from 0.9mm 430 st/steel  
Sides welded to a 10mm boiler plate  
Thermostatically controlled from 50 - 300 C

#### Technical Drawing



#### Optional Extras

- insert trolley

#### Specifications

**Dimensions:** 1000 x 930 x 900  
**No of elements:** 6 off  
**Electrical load:** 18 kw, 400v, 3 phase neutral and earth  
**Electrical connection:** 2 meter (5 core) cable with fly lead





### 80 Ltr Gas Tilting Frying Pan

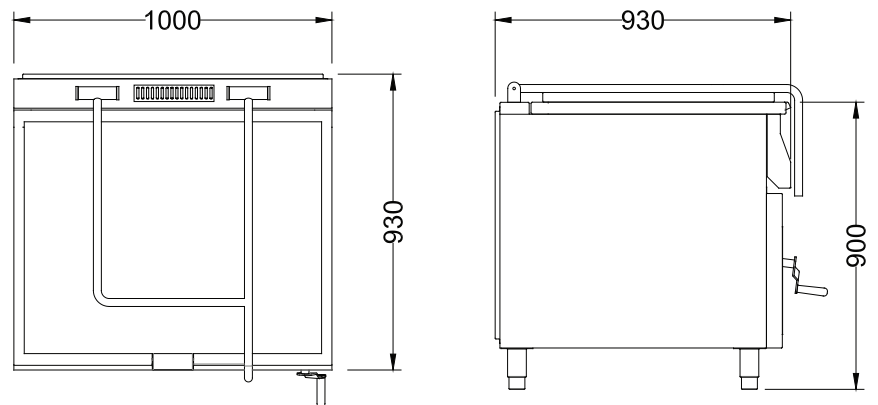
**Model:** TP-80L-G

**Dimensions:** 1000 x 930 x 900

#### Features

Top made from 2.0mm Grade 304 st/steel  
Body manufactured from 0.9mm 430 st/steel  
Sides welded to a 10mm boiler plate  
Thermostatically controlled from 50 - 300 C

#### Technical Drawing



#### Optional Extras

- insert trolley

#### Specifications

Dimensions: 1000 x 930 x 900  
No of burners: 3 burners  
Gas pressure: LPG: 2.7Kpa  
Gas consumption: kg/Hr



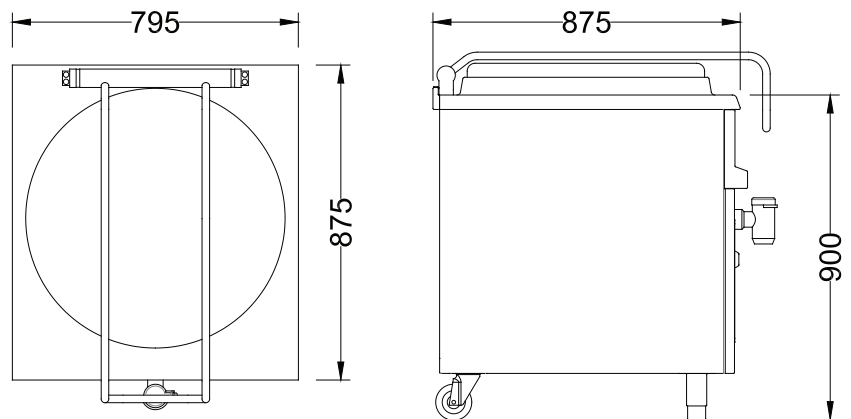
### 100 Ltr Electric Boiling Pan

**Model:** BP-E-100  
**Dimensions:** 795 x 875 x 900

#### Features

Top made from 2.0mm Grade 304 st/steel

#### Technical Drawing



#### Optional Extras

- insert trolley

#### Specifications

**Dimensions:** 795 x 875 x 900  
**No of elements:** 3 off  
**Electrical load:** 9 kw, 400v, 3 phase neutral and earth  
**Electrical connection:** 2 meter (5 core) cable with fly lead



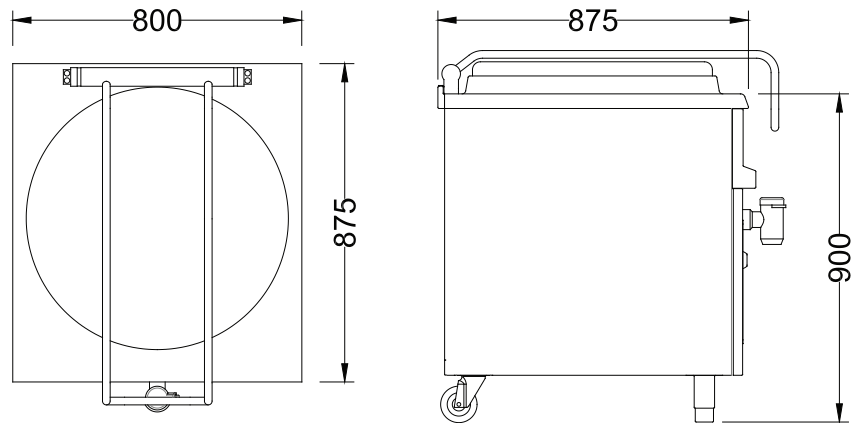
### 150 Ltr Electric Boiling Pan

**Model:** BP-E-150  
**Dimensions:** 795 x 875 x 900

#### Features

Top made from 2.0mm Grade 304 st/steel  
Frame manufactured from 40 x 40 square tubing  
Sides welded to a 10mm boiler plate  
Gas controlled by SIT gas control valve

#### Technical Drawing



#### Optional Extras

- insert trolley

#### Specifications

**Dimensions:** 795 x 875 x 900  
**No of elements:** 6 off  
**Electrical load:** 18 kw, 400v, 3 phase neutral and earth  
**Electrical connection:** 2 meter (5 core) cable with fly lead



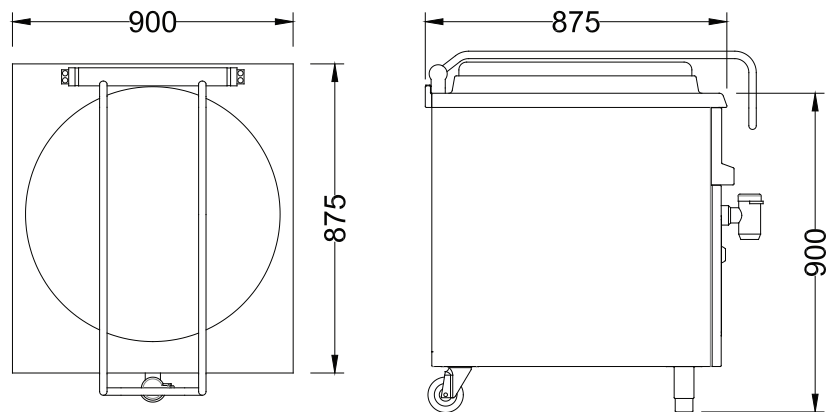
### 200 Ltr Electric Boiling Pan

**Model:** BP-E-200  
**Dimensions:** 900 x 875 x 900

#### Features

Top made from 2.0mm Grade 304 st/steel  
Frame manufactured from 40 x 40 square tubing  
Sides welded to a 10mm boiler plate  
Gas controlled by SIT gas control valve

#### Technical Drawing

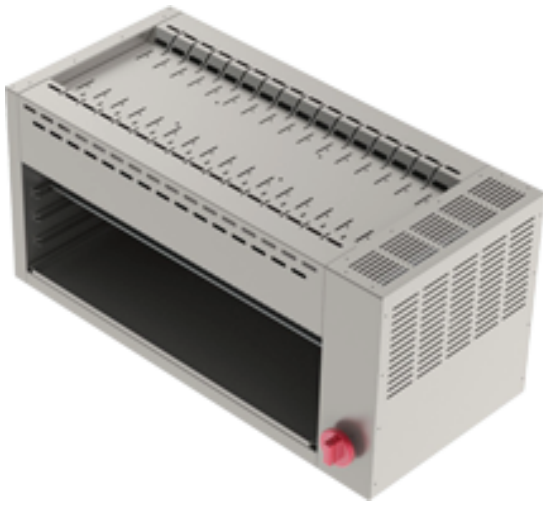


#### Optional Extras

- insert trolley

#### Specifications

**Dimensions:** 900 x 875 x 900  
**No of elements:** 6 off  
**Electrical load:** 18 kw, 400v, 3 phase neutral and earth  
**Electrical connection:** 2 meter (5 core) cable with fly lead



### Electric Salamander

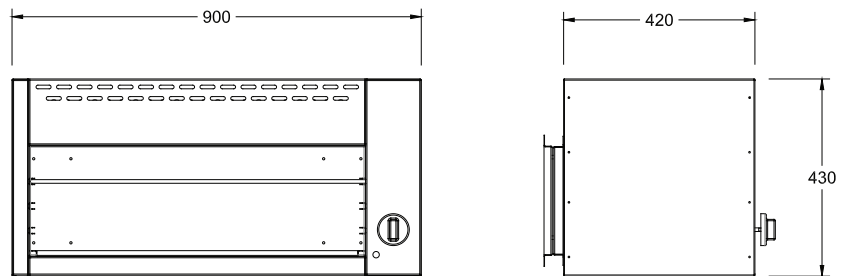
**Model:** SM-E

**Dimensions:** 900 x 420 x 430

#### Features

- Manufactured from 0.9mm 430 st/steel
- 3 x 2kw elements
- Elements controlled by a 3 position switch
- 3 grid positions
- removable back for pass through unit

#### Technical Drawing

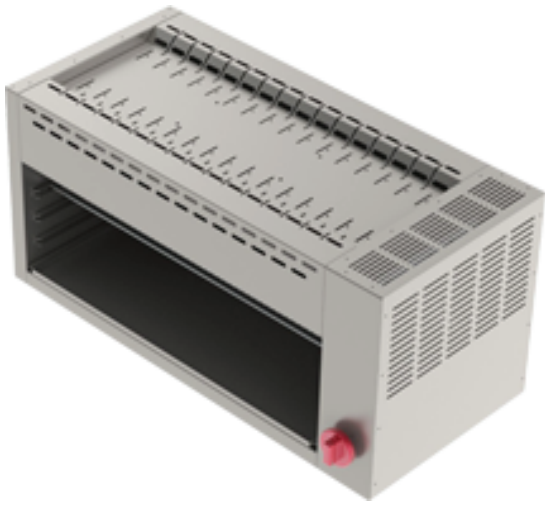


#### Optional Extras

- Wall mounting brackets

#### Specifications

- Dimensions: 900 x 420 x 430
- No of elements: 3 off
- Electrical load: 6 kw, 400v, 3 phase neutral and earth
- Electrical connection: 2 meter (5 core) cable with fly lead



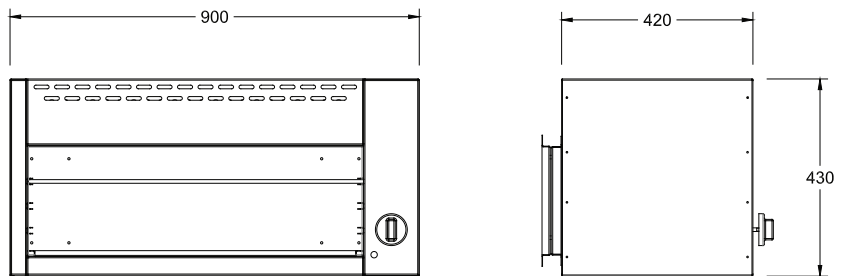
### Gas Salamander

**Model:** SM-G  
**Dimensions:** 900 x 420 x 430

#### Features

Manufactured from 0.9mm 430 st/steel  
3 grid positions  
removable back for pass through

#### Technical Drawing



#### Optional Extras

- Wall mounting brackets

#### Specifications

Dimensions: 900 x 420 x 430  
No of burners: 1 burner  
Gas pressure: LPG: 2.7Kpa  
Gas consumption: 1.68 kg/Hr



### Dirtyes Dump Table

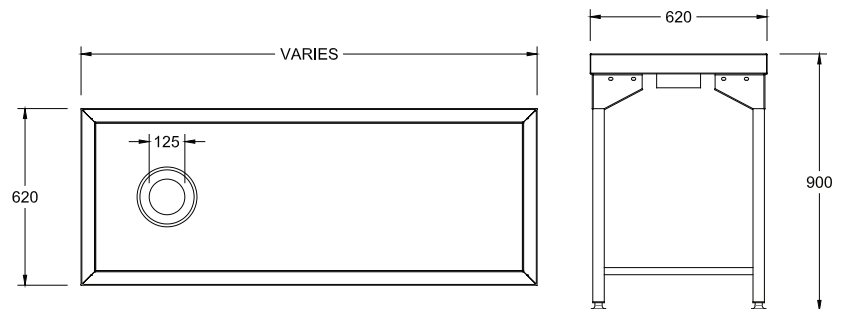
**Model:** TB/D

**Dimensions:** Varies x 620 x 900

#### Features

Manufactured from various grades of st/steel  
Legs manufactured from 38mm round st/steel tubing  
Adjustable feet fitted standard

#### Technical Drawing



#### Optional Extras

- Table legs can be manufactured from 40 x 40 square tubing
- Material option as follows:
  - 0.9mm 430 st/steel
  - 1.2mm 430 st/steel
  - 0.9mm 304 st/steel
  - 1.2mm 304 st/steel
- Second tier

#### Specifications

**Dimensions:** Varies x 620 x 900





### Pre Wash Inlet Table

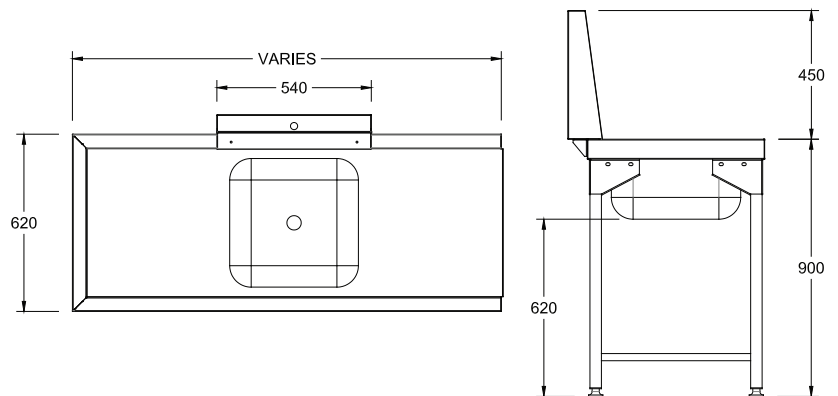
**Model:** TB/PR

**Dimensions:** Varies x 620 x 900

#### Features

- Manufactured from various grades of st/steel
- Legs manufactured from 38mm round st/steel tubing
- Adjustable feet fitted standard

#### Technical Drawing



#### Optional Extras

- Table legs can be manufactured from 40 x 40 square tubing
- Material option as follows:
  - 0.9mm 430 st/steel
  - 1.2mm 430 st/steel
  - 0.9mm 304 st/steel
  - 1.2mm 304 st/steel
- pre rinse spray

#### Specifications

Dimensions: Varies x 620 x 900



### Outlet Table

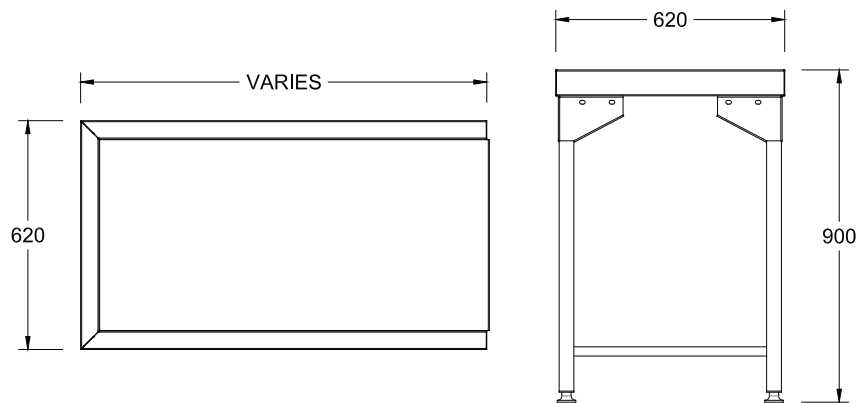
**Model:** TB/OT

**Dimensions:** Varies x 620 x 900

### Features

Manufactured from various grades of st/steel  
Legs manufactured from 38mm round st/steel tubing  
Adjustable feet fitted standard

### Technical Drawing



### Optional Extras

- Table legs can be manufactured from 40 x 40 square tubing
- Material option as follows:
  - 0.9mm 430 st/steel
  - 1.2mm 430 st/steel
  - 0.9mm 304 st/steel
  - 1.2mm 304 st/steel
- pre rinse spray

### Specifications

**Dimensions:** Varies x 620 x 900



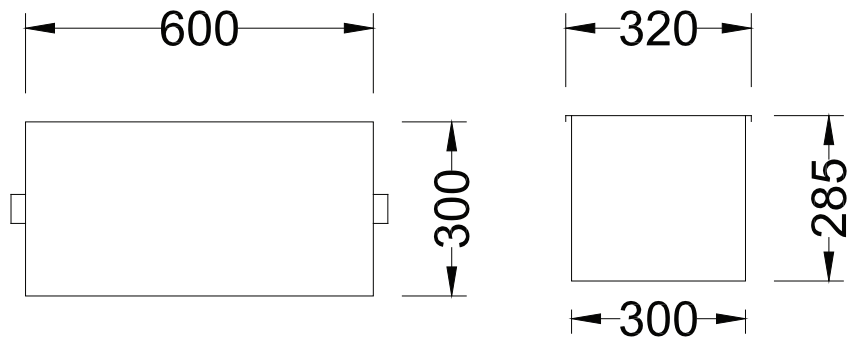
### Outlet Table

**Model:** GT/50  
**Dimensions:** 600 x 300 x 285

### Features

Manufactured from 1.2mm 304 st/steel  
Unit has easy removable baskets  
50mm drain connection

### Technical Drawing



### Optional Extras

### Specifications

**Dimensions:** 600 x 300 x 285



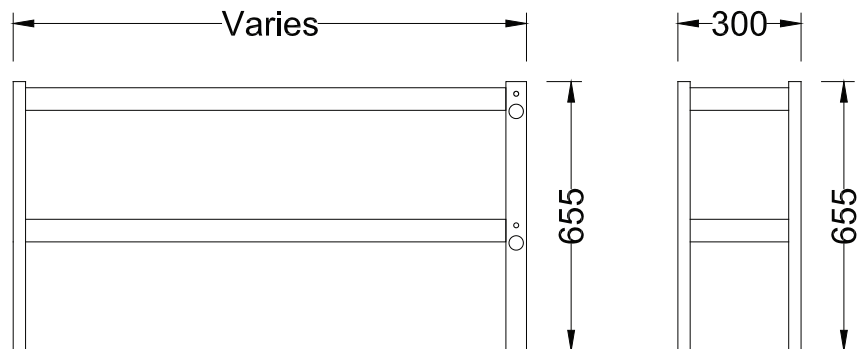
### Heated Pass Through

**Model:** HFP/2T  
**Dimensions:** Varies x 300 x 655

#### Features

Manufactured from 0.9mm 430 st/steel uprights manufactured from 30 x 30 st/steel tubing  
Elements controlled by a thermostat or 6 position switch

#### Technical Drawing



#### Optional Extras

#### Specifications

**Dimensions:** Varies x 300 x 655  
**No of elements:** 2 off  
**Electrical load:** 4 kw, 230v  
**Electrical connection:** 2 meter (3 core) cable with fly lead



### Neutral Pass Through

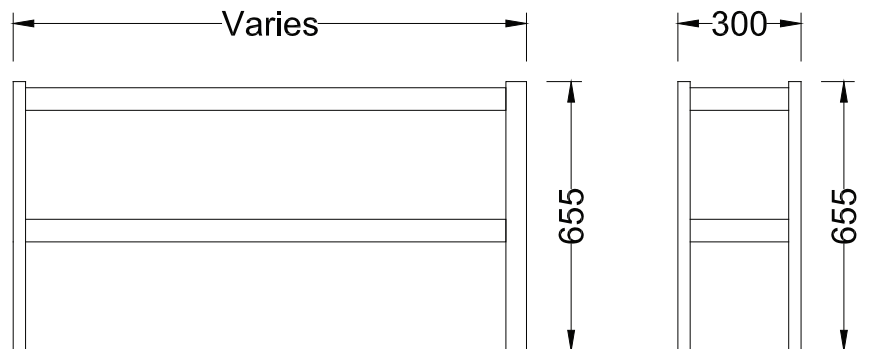
**Model:** NFP/2T

**Dimensions:** Varies x 300 x 655

#### Features

Manufactured from 0.9mm 430 st/steel uprights manufactured from 30 x 30 st/steel tubing

#### Technical Drawing



#### Optional Extras

#### Specifications

**Dimensions:** Varies x 300 x 655