



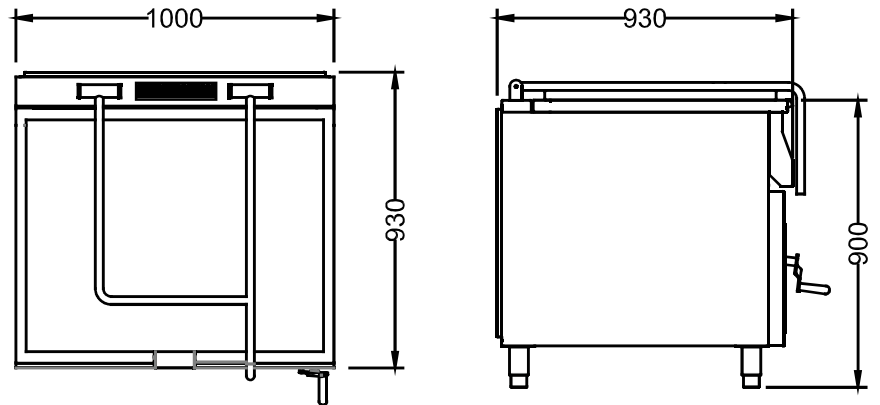
80 Ltr Gas Tilting Frying Pan

Model: TP-80L-G
Dimensions: 1000 x 930 x 900

Features

Top made from 2.0mm Grade 304 st/steel
Body manufactured from 0.9mm 430 st/steel
Sides welded to a 10mm boiler plate
Thermostatically controlled from 50 - 300 C

Technical Drawing



Optional Extras

- insert trolley

Specifications

Dimensions: 1000 x 930 x 900
No of burners: 3 burners
Gas pressure: LPG: 2.7Kpa
Gas consumption: kg/Hr