



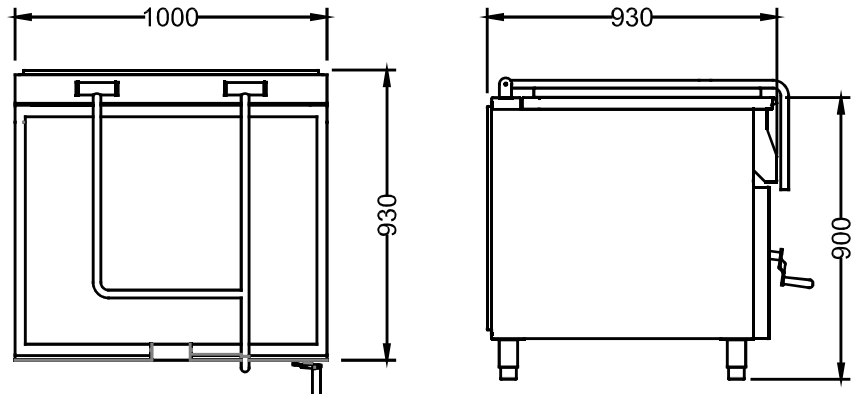
### 80 Ltr Electric Tilting Frying Pan

**Model:** TP-80L-E  
**Dimensions:** 1000 x 930 x 900

#### Features

Top made from 2.0mm Grade 304 st/steel  
Body manufactured from 0.9mm 430 st/steel  
Sides welded to a 10mm boiler plate  
Thermostatically controlled from 50 - 300 C

#### Technical Drawing



#### Optional Extras

- insert trolley

#### Specifications

**Dimensions:** 1000 x 930 x 900  
**No of elements:** 6 off  
**Electrical load:** 18 kw, 400v, 3 phase neutral and earth  
**Electrical connection:** 2 meter (5 core) cable with fly lead