



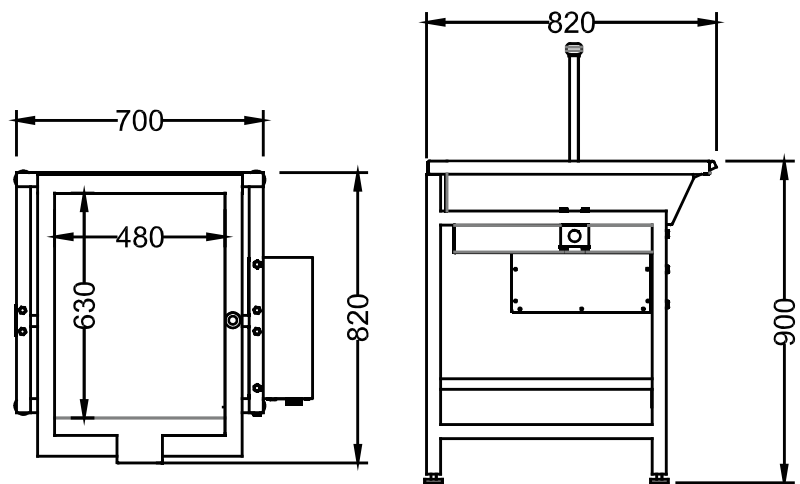
### 40 Ltr Electric Tilting Skillet

**Model:** TP-40L-E  
**Dimensions:** 700 x 820 x 900

#### Features

Top made from 2.0mm Grade 304 st/steel  
Frame manufactured from 40 x 40 square tubing  
Sides welded to a 10mm boiler plate  
Thermostatically controlled from 50 - 300 C

#### Technical Drawing



#### Optional Extras

- insert trolley
- inserts
- Lid for pan

#### Specifications

**Dimensions:** 700 x 820 x 900  
**No of elements:** 3 off  
**Electrical load:** 9 kw, 400v, 3 phase neutral and earth  
**Electrical connection:** 2 meter (5 core) cable with fly lead