



10 Burner Gas Radiant Grill

Model: G-RG/10

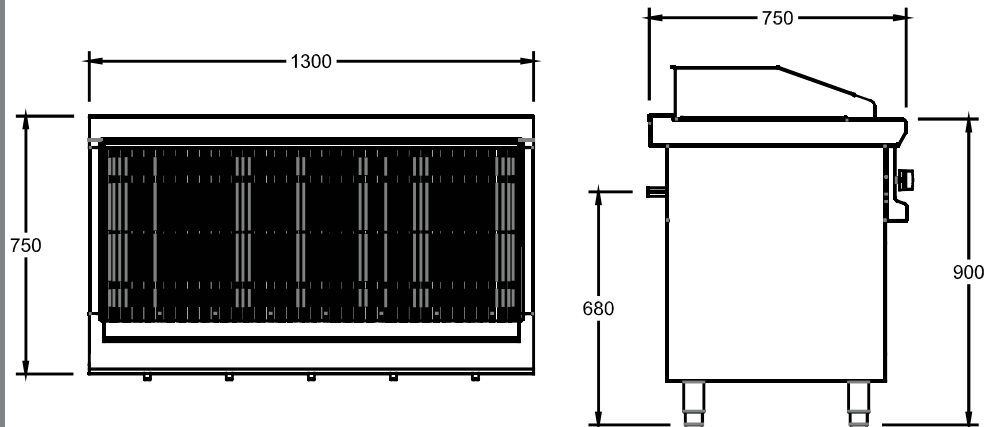
Dimensions: 1400 x 800 x 900



Features

- Top made from 1.6mm Grade 430 st/steel
- Body manufactured from 0.9mm Grade 430 st/steel
- Splash guards manufactured from 2.0mm Grade 430 st/steel
- Easily removable burners for cleaning purposes
- Cast iron grids

Technical Drawing



Optional Extras

- Body can be manufactured from 304 st/steel
- Front door to suit body
- Marinade holder
- Lava rock conversion

Specifications

- Dimensions: 1400 x 800 x 900
No of burners: 10 burners
Gas pressure: LPG: 2.7Kpa
Gas consumption: 2.8 kg/Hr