



### Pre Wash Inlet Table

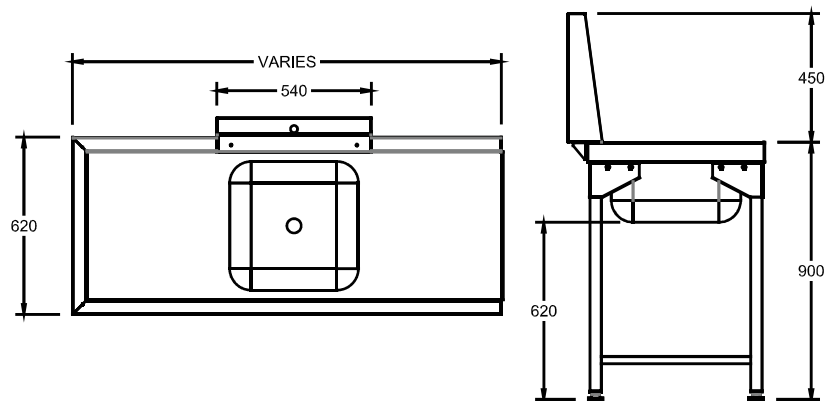
**Model:** TB/PR

**Dimensions:** Varies x 620 x 900

#### Features

- Manufactured from various grades of st/steel
- Legs manufactured from 38mm round st/steel tubing
- Adjustable feet fitted standard

#### Technical Drawing



#### Optional Extras

- Table legs can be manufactured from 40 x 40 square tubing
- Material option as follows:
  - 0.9mm 430 st/steel
  - 1.2mm 430 st/steel
  - 0.9mm 304 st/steel
  - 1.2mm 304 st/steel
- pre rinse spray

#### Specifications

**Dimensions:** Varies x 620 x 900