



Outlet Table

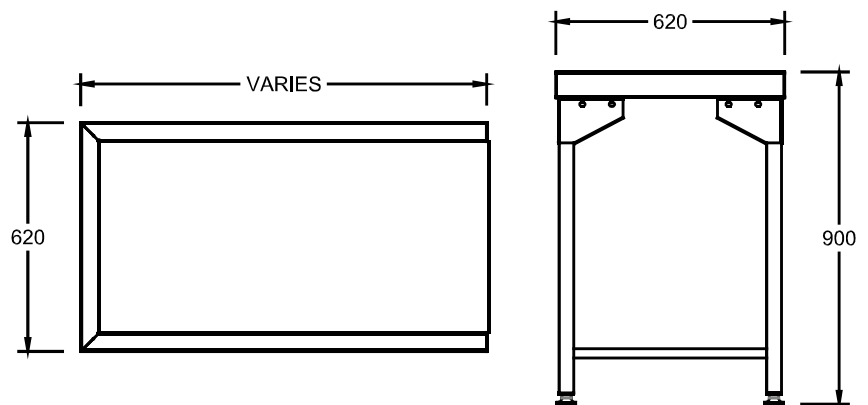
Model: TB/OT

Dimensions: Varies x 620 x 900

Features

Manufactured from various grades of st/steel
Legs manufactured from 38mm round st/steel tubing
Adjustable feet fitted standard

Technical Drawing



Optional Extras

- Table legs can be manufactured from 40 x 40 square tubing
- Material option as follows:
 - 0.9mm 430 st/steel
 - 1.2mm 430 st/steel
 - 0.9mm 304 st/steel
 - 1.2mm 304 st/steel
- pre rinse spray

Specifications

Dimensions: Varies x 620 x 900