



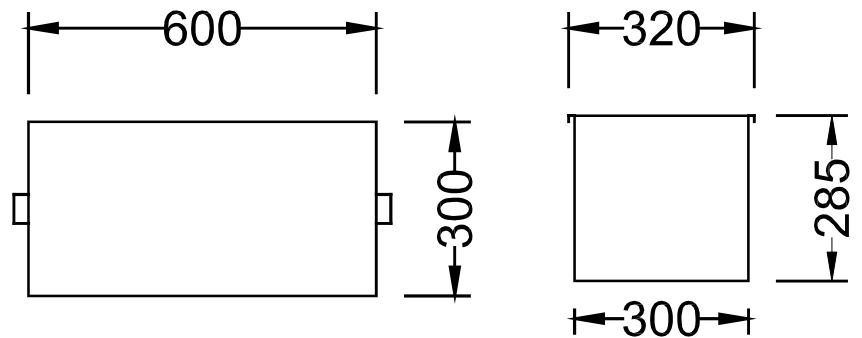
Grease Trap

Model: GT/50
Dimensions: 600 x 300 x 285

Features

Manufactured from 1.2mm 304 st/steel
Unit has easy removable baskets
50mm drain connection

Technical Drawing



Optional Extras

Specifications

Dimensions: 600 x 300 x 285