



### 8 Burner Gas Flattop

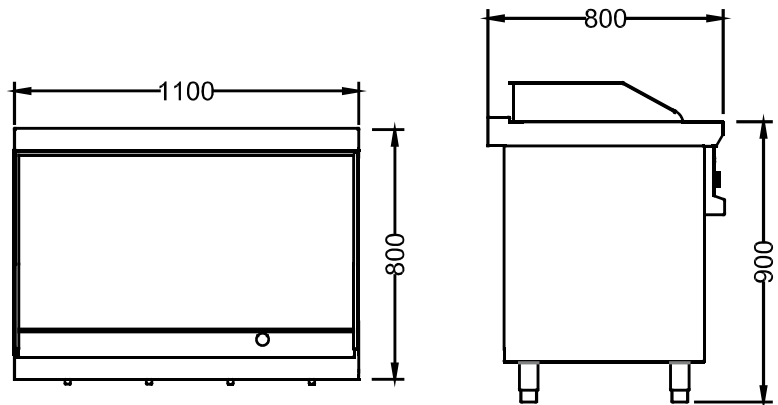
**Model:** G-FT/8  
**Dimensions:** 1100 x 800 x 900



#### Features

- Top made from 1.6mm Grade 430 st/steel
- Body manufactured from 0.9mm Grade 430 st/steel
- Splash guards manufactured from 2.0mm Grade 430 st/steel
- Easily removable burners for cleaning purposes
- Removable flattop plate for easy cleaning

#### Technical Drawing



#### Optional Extras

- Body can be manufactured from 304 st/steel
- Front door to suit body
- Marinade holder

#### Specifications

**Dimensions:** 1100 x 800 x 900  
**No of burners:** 8 burners  
**Gas pressure:** LPG: 2.7Kpa  
**Gas consumption:** 2.08 kg/Hr