



4 Burner Gas Flattop

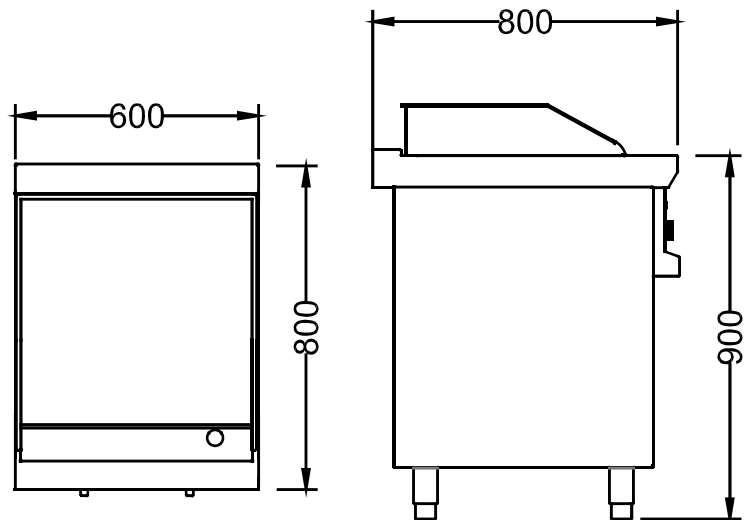
Model: G-FT/4
Dimensions: 600 x 800 x 900



Features

- Top made from 1.6mm Grade 430 st/steel
- Body manufactured from 0.9mm Grade 430 st/steel
- Splash guards manufactured from 2.0mm Grade 430 st/steel
- Easily removable burners for cleaning purposes
- Removable flattop plate for easy cleaning

Technical Drawing



Optional Extras

- Body can be manufactured from 304 st/steel
- Front door to suit body
- Marinade holder

Specifications

Dimensions: 600 x 800 x 900
No of burners: 4 burners
Gas pressure: LPG: 2.7Kpa
Gas consumption: 1.04 kg/Hr