



### 5 Division Bain Marie

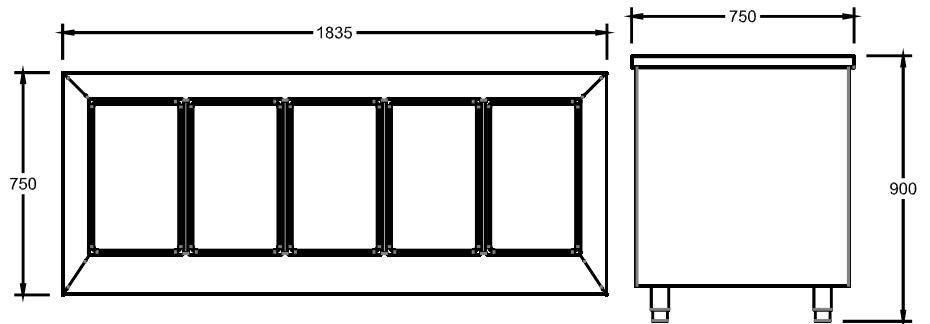
**Model:** BM-4

**Dimensions:** 1835 x 750 x 900

#### Features

Top made from 1.6mm Grade 304 st/steel  
Body manufactured from 0.9mm Grade 430 st/steel  
1 x 2 kw st/steel element  
Element thermostatically controlled between 0-90 C  
Doors manufactured from 0.9mm 430 st/steel

#### Technical Drawing



#### Optional Extras

- Heated cabinet
- GN inserts: 1/1, 1/2, 1/3, 1/6
- Glass sneeze guard
- Tray slides
- Automatic water level

#### Specifications

Dimensions: 1835 x 750 x 900  
No of elements: 1 off  
Electrical load: 4 kw, 400v, 3 phase neutral and earth  
Electrical connection: 2 meter (3 core) cable with fly lead