



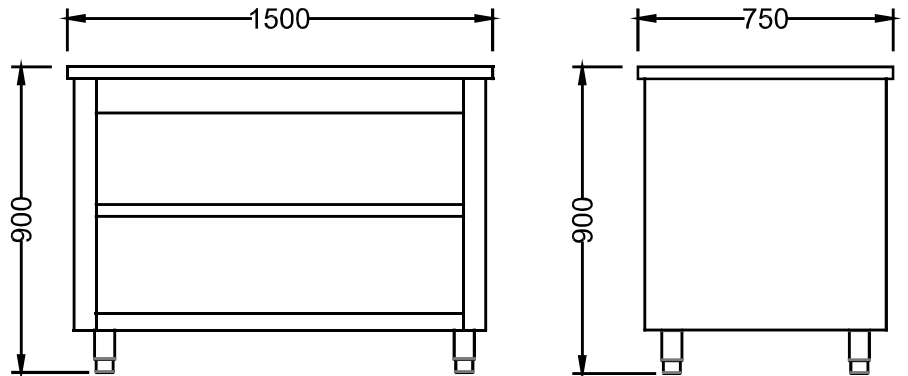
1500 Neutral Counter

Model: NC-1500
Dimensions: 1500 x 750 x 900

Features

Top made from 0.9mm Grade 430 st/steel
Body manufactured from 0.9mm Grade 430 st/steel

Technical Drawing



Optional Extras

- Heated cabinet
- Glass sneeze guard
- Tray slides

Specifications

Dimensions: 1500 x 750 x 900