



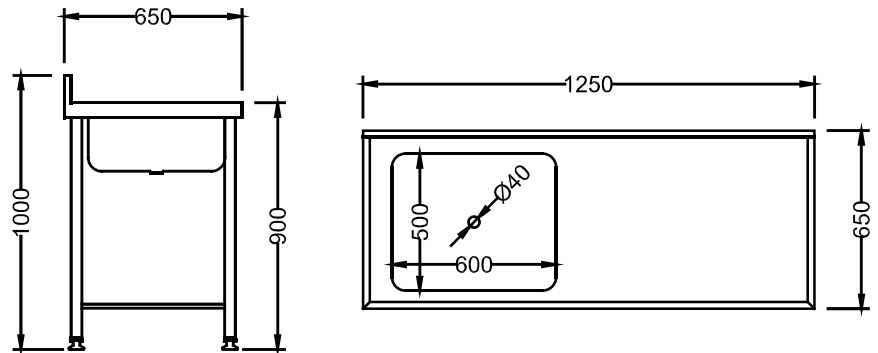
### 1250 Single Bowl Pot Sink

**Model:** S-Pot/1250  
**Dimensions:** 850 x 650 x 900

#### Features

Pressed bowl manufactured from 1.2mm 304 st/steel  
Top manufactured from various grades of st/steel  
splash back 100mm high  
Dia 40mm round st/steel legs

#### Technical Drawing



#### Optional Extras

- Tops can be manufactured from:  
0.9mm 430 st/steel  
1.2mm 430 st/steel  
0.9mm 304 st/steel  
1.2mm 304 st/steel  
Tubular st/steel pot rack  
40 x 40 square tube legs  
Splash guards on sides

#### Specifications

**Dimensions:** 1250 x 650 x 900  
**Bowl dimensions:** 600 x 500 x 250