



### 1100 Electric Flattop

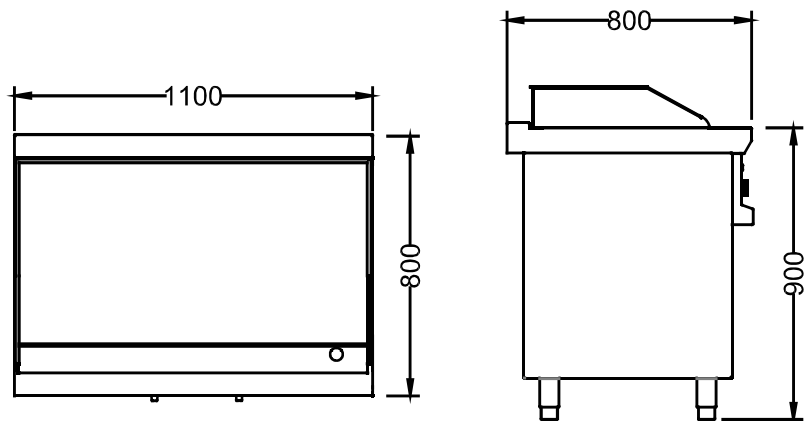
**Model:** E-FT/1100

**Dimensions:** 1100 x 800 x 900

#### Features

Top made from 1.6mm Grade 430 st/steel  
Body manufactured from 0.9mm Grade 430 st/steel  
Splash guards manufactured from 2.0mm Grade 430 st/steel  
6 x 1.5kw incoloy elements  
Elements thermostatically controlled between 0-300 C

#### Technical Drawing



#### Optional Extras

- Body can be manufactured from 304 st/steel
- Front door to suit body
- Marinade holder

#### Specifications

Dimensions: 1100 x 800 x 900  
No of elements: 6 off  
Electrical load: 9 kw, 400v, 3 phase neutral and earth  
Electrical connection: 2 meter (5 core) cable with fly lead