



850 Single Bowl Prep Sink

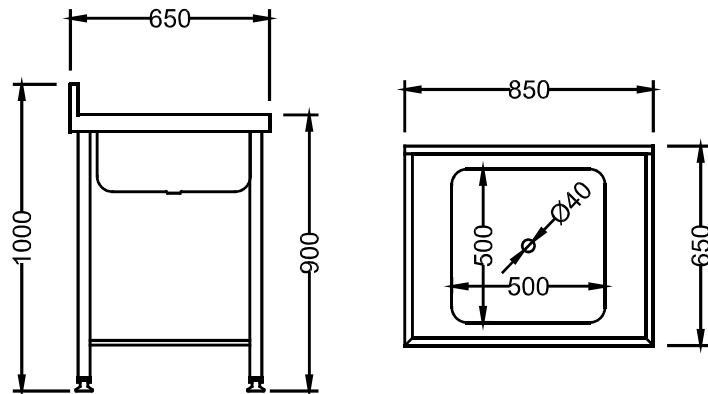
Model: S-Prep/850

Dimensions: 850 x 650 x 900

Features

Pressed bowl manufactured from 1.2mm 304 st/steel
Top manufactured from various grades of st/steel
splash back 100mm high
Dia 40mm round st/steel legs

Technical Drawing



Optional Extras

- Tops can be manufactured from:
0.9mm 430 st/steel
1.2mm 430 st/steel
0.9mm 304 st/steel
1.2mm 304 st/steel
Tubular st/steel pot rack
40 x 40 square tube legs
Splash guards on sides

Specifications

Dimensions: 850 x 650 x 900

Bowl dimensions: 500 x 500 x 250